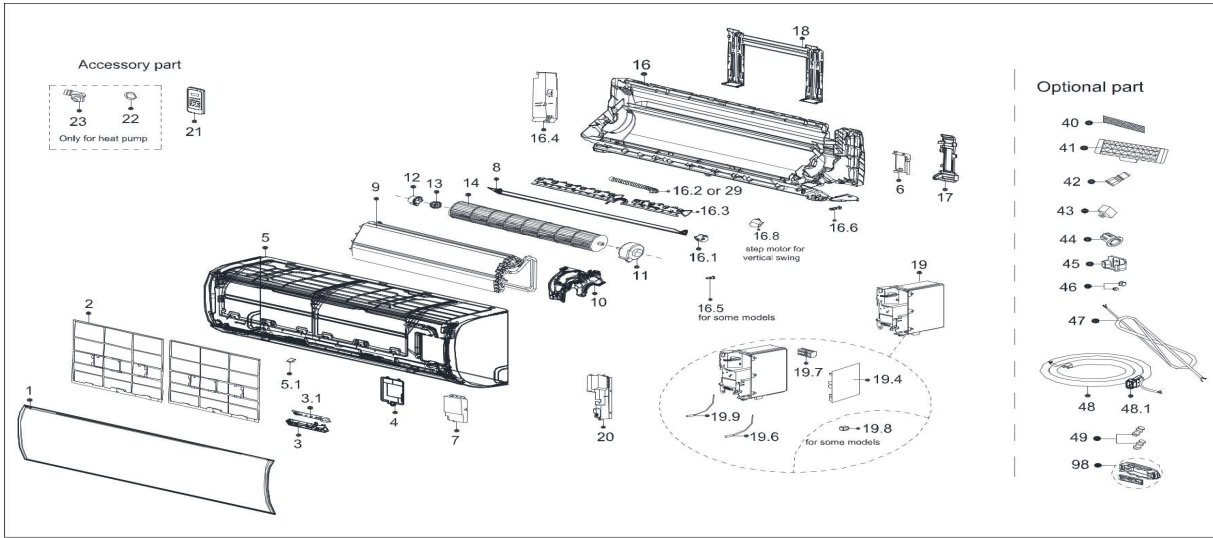


Code: 22022011012358
 Model: MSAF-18HFN8DE
 Brand: MIDEA
 Order: 62220-N4926109



EX_ID	Part Code	Part Name(EN)	Part Name(local)	Qty	Substitute
1	12122000A84640	Panel assembly	Panel assembly	1.00	
2	12100204001559	Filter	Filter	2.00	
3	17222000A58751	Display box subassembly	Display box subassembly	1.00	
3.1	17122000053593	Display Board Subassembly	Display Board Subassembly	1.00	
4	12122000013131	Cover Plate	Cover Plate	1.00	
5	12122000013179	Panel Frame Assembly	Panel Frame Assembly	1.00	12122000A78925
5.1	12122000013139	Screw Cap	Screw Cap	2.00	
6	12122000013175	Front Cover of Chassis(Right)	Front Cover of Chassis(Right)	1.00	
7	12122000013141	Cover of Electrical Equipment Subassembly	Cover of Electrical Equipment Subassembly	1.00	
8	12122000013187	Louver	Louver	1.00	
9	15822000A16579	Evaporator Assembly	Evaporator Assembly	1.00	
10	12122000013176	Motor Cover	Motor Cover	1.00	
11	11002015011867	Brushless DC Motor	Brushless DC Motor	1.00	11002015A01437
12	12122000000350	Bearing Sleeve	Bearing Holder	1.00	
13	12622000000131	Bearing Block Assembly	Bearing Block Assembly	1.00	12622000A00001
14	12100102000131	Cross Flow Fan	Cross Flow Fan	1.00	12100102A00146
16	12122000013181	Chassis Assembly	Chassis Assembly	1.00	
16.1	11002010000143	Stepper Motor	Stepper Motor	1.00	110020100000005
16.2	12100501000032	Drain Hose	Drain Hose	1.00	
16.3	12122000013183	Horizontal louver	Horizontal louver	1.00	
16.4	12122000013186	Front Cover of Chassis(Left)	Front Cover of Chassis(Left)	1.00	
16.5	12122000003344	Insulated Axis	Insulated Axis	1.00	
16.6	12622000000030	Drainage plug	Drainage plug	1.00	
17	12122000013178	Pipe Clamp Board	Pipe Clamp Board	1.00	
18	12222000005866	Installation Plate	Installation Plate	1.00	
19	17222000034395	Electronic control box subassembly (Mid-and low-end)	Electronic control box subassembly (Mid-and low-end)	1.00	
19.4	17122000052164	Main control board subassembly	Main control board subassembly	1.00	
19.6	11201007003447	Pipe Temperature Sensor	Pipe Temperature Sensor	1.00	
19.7	17400401000094	Terminal	Terminal	1.00	
19.9	11201007003424	Room Temperature Sensor	Room Temperature Sensor	1.00	
20	12122000013132	Electrical Control Box Cover Subassembly	Electrical Control Box Cover Subassembly	1.00	
21	17317000A03243	Remote Controller	Remote Controller	1.00	
22	12600701000039	Sealing Ring	seal ring	1.00	
23	12100500000061	Water Outlet Pipe	Drain Hose	1.00	
40	121002040000685	Cold Catalyst Air Filter	Air Freshening Filter	1.00	121002040000685
42	15500209000001	Pin Valve	Check valve	1.00	
45	12122000027147	Bracket of Remote Controller	Bracket of Remote Controller	1.00	
46	15500406000012	Flare Nut	Copper nut	1.00	
46	15500406000016	Flare Nut	Copper nut	1.00	