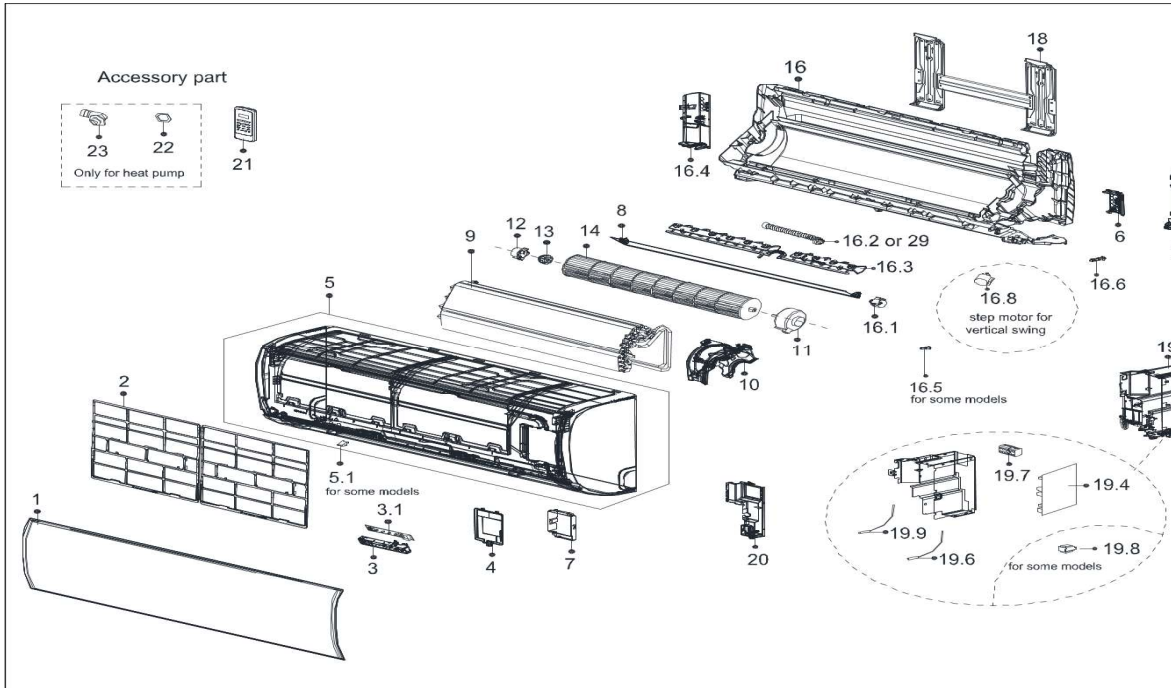


Code:
Model:
Brand:
Order:

22022011012298
MSAF-09HDN8DE
MIDEA
62220-N4926105



EX_ID	Part Code	Part Name(EN)	Part Name(local)	Qty	Substitute
1	12122000A78007	Panel assembly	Panel assembly	1.00	
2	12122000015224	Filter	Filter	2.00	
3	17222000A58751	Display box subassembly	Display box subassembly	1.00	
3.1	17122000053593	Display Board Subassembly	Display Board Subassembly	1.00	
4	12122000013131	Cover Plate	Cover Plate	1.00	
5	12122000013170	Panel Frame Assembly	Panel Frame Assembly	1.00	12122000A84114
5.1	12122000013139	Screw Cap	Screw Cap	2.00	
6	12122000013140	Front Cover of Chassis(Right)	Front Cover of Chassis(Right)	1.00	
7	12122000013141	Cover of Electrical Equipment Subassembly	Cover of Electrical Equipment Subassembly	1.00	
8	12122000013168	Louver Subassembly	Louver Subassembly	1.00	12122000A77576
9	15822000A17080	Evaporator Assembly	Evaporator Assembly	1.00	
10	12122000013129	Motor Cover	Motor Cover	1.00	
11	11002012031474	Single Phase Asynchronous Motor	Single Phase Asynchronous Motor	1.00	11002012A04353
12	12122000000350	Bearing Sleeve	Bearing Holder	1.00	
13	12622000000131	Bearing Block Assembly	Bearing Block Assembly	1.00	12622000A00001
14	12100102000044	Cross Flow Fan	Cross Flow Fan	1.00	
16	12122000013163	Chassis Assembly	Chassis Assembly	1.00	
16.1	11002010000143	Stepper Motor	Stepper Motor	1.00	11002010000005
16.2	12100501000032	Drain Hose	Drain Hose	1.00	
16.3	12122000013167	Horizontal Louver	Horizontal Louver	1.00	
16.4	12122000013123	Front Cover of Chassis(Left)	Front Cover of Chassis(Left)	1.00	
16.5	12122000000344	Insulated Axis	Insulated Axis	1.00	
16.6	12622000000030	Drainage plug	Drainage plug	1.00	
17	12122000013136	pipe clamp board	pipe clamp board	1.00	
18	12222000005844	Installation Plate	Installation Plate	1.00	12222000A01653
19	17222000031597	Electronic control box subassembly (Mid-and low-end)	Electronic control box subassembly (Mid-and low-end)	1.00	
19.4	17122000048779	Main Control Board Subassembly	Main Control Board Subassembly	1.00	
19.6	11201007003447	Pipe Temperature Sensor	Pipe Temperature Sensor	1.00	
19.7	17400401000094	Terminal	Terminal	1.00	
19.9	11201007003424	Room Temperature Sensor	Room Temperature Sensor	1.00	
20	12122000013132	Electrical Control Box Cover Subassembly	Electrical Control Box Cover Subassembly	1.00	
21	17317000A03243	Remote Controller	Remote Controller	1.00	
22	12600701000039	Sealing Ring	seal ring	1.00	
23	12100509000061	Water Outlet Pipe	Drain Hose	1.00	
40	12100204000685	Cold Catalyst Air Filter	Air Freshening Filter	1.00	12100204000685
42	15500209000001	Pin Valve	Check valve	1.00	
45	12122000027147	Bracket of Remote Controller	Bracket of Remote Controller	1.00	
46	15500406000010	Flare Nut	Copper nut	1.00	15500406000015
46	15500406000016	Flare Nut	Copper nut	1.00	



Optional part



48

48.1

