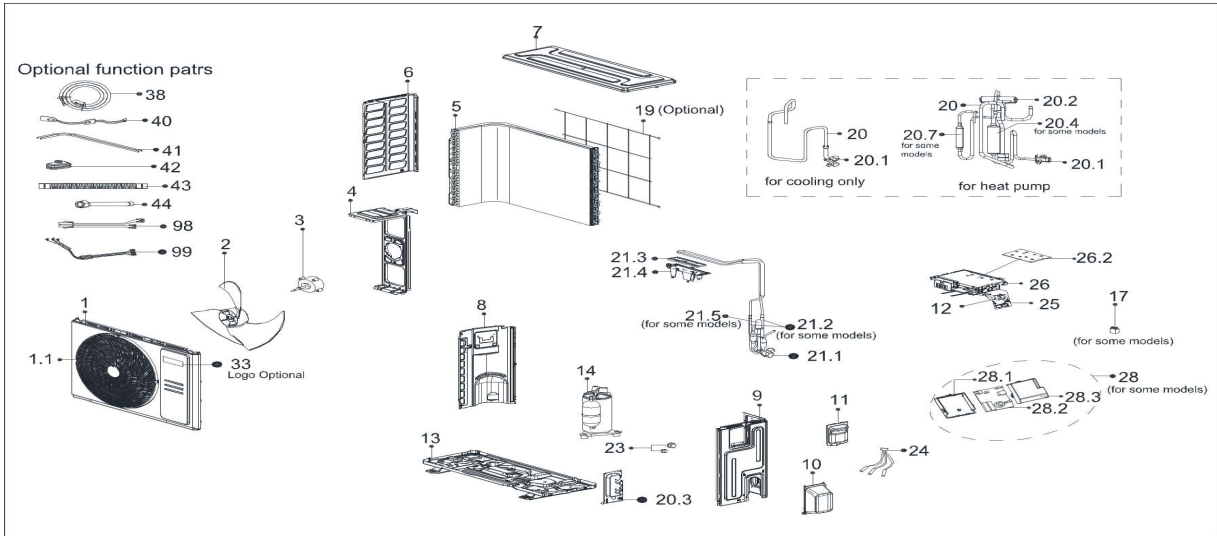


Code: 22022016016820
 Model: MOX4-24HFN8DE
 Brand: MIDEA
 Order: 62220-N4926112



| EX_ID | Part Code | Part Name(EN) | Part Name(local) | Qty | Substitute |
|-------|-----------------|--|--|------|----------------|
| 1 | 12222000013248 | Front panel | Front panel | 1.00 | |
| 1.1 | 12122000026481 | Air outlet grille | Air outlet grille | 1.00 | |
| 2 | 12100105000841 | Axial Flow Fan | Axial Flow Fan | 1.00 | 12100105A00126 |
| 3 | 11002015000366 | Brushless DC Motor | Brushless DC Motor | 1.00 | 11002015A01198 |
| 4 | 12222000012371 | Motor Bracket | Motor Bracket | 1.00 | |
| 5 | 15822000009836 | Condenser Assembly | Condenser Assembly | 1.00 | |
| 6 | 12222000018448 | Left side plate assembly of cabinet | Left side plate assembly of cabinet | 1.00 | |
| 7 | 122222000005737 | Top Cover Assembly | Top Cover Assembly | 1.00 | |
| 8 | 12222000013245 | Partition Board Assembly | Partition Board Assembly | 1.00 | |
| 9 | 12222000012930 | Right Clapboard Assembly | Right Clapboard Assembly | 1.00 | |
| 10 | 12122000007150 | Water Collector | Water Collector | 1.00 | |
| 11 | 12122000031166 | Big Handle Assembly | Big Handle Assembly | 1.00 | |
| 12 | 17400401000016 | Terminal | Terminal | 1.00 | |
| 13 | 12222000013507 | Chassis Assembly | Chassis Assembly | 1.00 | |
| 14 | 11103020006879 | DC Inverter Rotary Compressor | DC Inverter Rotary Compressor | 1.00 | 11103020A00736 |
| 19 | 12222000013085 | Rear Net | Rear Net | 1.00 | |
| 20 | 15422000018832 | Four-Way Valve Subassembly | Four-Way Valve Subassembly | 1.00 | |
| 20.1 | 15500204000502 | Gas Valve | Gas Valve | 1.00 | |
| 20.2 | 15500216000026 | Four-Way Valve | Four-Way Valve | 1.00 | 15500216000003 |
| 20.3 | 12222000005738 | Valve Plate | Valve Plate | 1.00 | |
| 20.4 | 15122000027161 | Muffler subassembly | Muffler subassembly | 1.00 | |
| 20.7 | 15122000027116 | Muffler subassembly | Muffler subassembly | 1.00 | |
| 21 | 15422000024105 | Liquid valve Assembly | Liquid valve Assembly | 1.00 | |
| 21.1 | 15500208000286 | Liquid Valve | Liquid Valve | 1.00 | |
| 21.2 | 15500210004469 | Throttle valve | Throttle valve | 1.00 | |
| 21.2 | 15500210004472 | Throttle valve | Throttle valve | 1.00 | |
| 21.3 | 11203803001176 | Radiator | Radiator | 1.00 | |
| 21.4 | 12122000011478 | U-Typed Support with Copper Pipe | U-Typed Support with Copper Pipe | 1.00 | |
| 23 | 15500406000003 | Flare Nut | Copper nut | 1.00 | |
| 23 | 15500406000010 | Flare Nut | Copper nut | 1.00 | 15500406000015 |
| 24 | 11201011000188 | Combination Sensor | Combination Sensor | 1.00 | |
| 25 | 17222000031763 | Terminal Board Subassembly | Terminal Board Subassembly | 1.00 | |
| 26 | 17222000034346 | Electronic Control Box Subassembly | Electronic Control Box Subassembly | 1.00 | |
| 26.1 | 12122000008999 | Electronic Installing Box | Electronic Installing Box | 1.00 | |
| 26.2 | 17122000061348 | Outdoor main control board subassembly | Outdoor main control board subassembly | 1.00 | |
| 33 | 16022000B85731 | Trademark | Trademark | 1.00 | |
| 99 | 17401203012697 | Compressor Wires Subassembly | Compressor Wires Subassembly | 1.00 | |