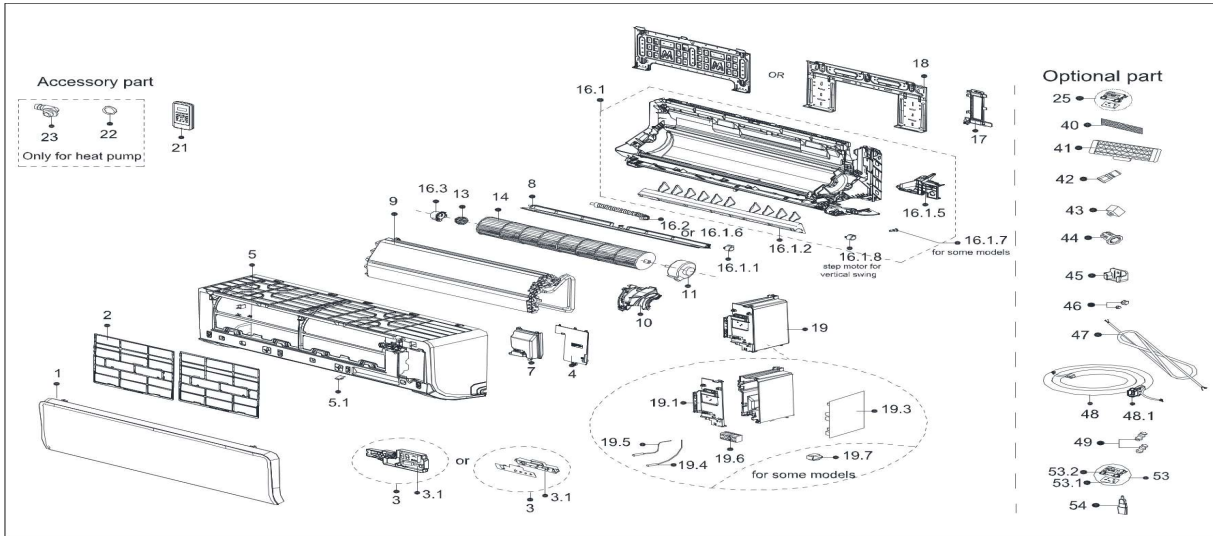


Code: 2202011015221
 Model: MSAG-09HFN8CD
 Brand: MIDEA
 Order: 62220-N4926101



EX_ID	Part Code	Part Name(EN)	Part Name(local)	Qty	Substitute
1	12122000A78116	Panel Assembly	Panel Assembly	1.00	
2	12100204000522	Filter Assembly	Filter Assembly	2.00	
3	17222000A62790	Display box subassembly	Display box subassembly	1.00	
3.1	17122000052326	Display Board Subassembly	Display Board Subassembly	1.00	
4	12122000024739	Cover Plate	Cover Plate	1.00	
5	12122000025633	Panel Frame Assembly	Panel Frame Assembly	1.00	
5.1	1212200009477	Screw Cap	Screw Cap	1.00	
7	12122000025064	Cover Board For Wiring	Cover Board For Wiring	1.00	
8	12122000024721	Louver Subassembly	Louver Subassembly	1.00	12122000A78376
9	15822000A18723	Evaporator assembly	Evaporator assembly	1.00	
10	12122000029503	Motor Cover	Motor Cover	1.00	
11	11002015012989	Brushless DC Motor	Brushless DC Motor	1.00	
13	12622000000131	Bearing Block Assembly	Bearing Block Assembly	1.00	12622000A00001
14	12100102000576	Cross Flow Fan	Cross Flow Fan	1.00	12100102A00187
16	12122000025628	Chassis assembly	Chassis assembly	1.00	
16.1	12122000026444	Chassis Assembly	Chassis Assembly	1.00	
16.1.1	11002010000143	Stepper Motor	Stepper Motor	1.00	11002010000005
16.1.2	12122000025629	Vortex Tongue Bar	Vortex Tongue Bar	1.00	
16.1.5	12122000024735	Anti mouse baffle	Anti mouse baffle	1.00	
16.1.6	12100501000032	Drain Hose	Drain Hose	1.00	
16.1.7	12122000003344	Insulated Axis	Insulated Axis	1.00	
16.1.8	11002010A00014	Stepper Motor	Stepper Motor	1.00	
16.1.9	12622000000030	Drainage plug	Drainage plug	1.00	
16.3	12122000003050	Bearing Sleeve	Bearing Holder	1.00	
17	12122000012943	pipe clamp board	pipe clamp board	1.00	
18	12222000000018	Installation Plate	Installation Plate	1.00	12222000A00915
19	17222000036980	Electronic control box subassembly (Mid-and low-end)	Electronic control box subassembly (Mid-and low-end)	1.00	
19.1	12122000025621	Cover of Electronic Control Box(BMC)	Cover of Electronic Control Box(BMC)	1.00	
19.3	17122000054903	Main Control Board Subassembly	Main Control Board Subassembly	1.00	
19.4	11201007003424	Room Temperature Sensor	Room Temperature Sensor	1.00	
19.5	11201007003447	Pipe Temperature Sensor	Pipe Temperature Sensor	1.00	
19.6	17400401000576	Wire Joint	Wire Joint	1.00	
21	17317000007594	Remote Controller	Remote Controller	1.00	
22	12600701000039	Sealing Ring	seal ring	1.00	
23	12100509000061	Water Outlet Pipe	Drain Hose	1.00	
40	12100204000685	Cold Catalyst Air Filter	Air Freshening Filter	1.00	12100204000685
42	15500209000001	Pin Valve	Check valve	1.00	
45	12122000029201	Bracket of Remote Controller	Bracket of Remote Controller	1.00	
46	15500406000010	Flare Nut	Copper nut	1.00	15500406000015
46	15500406000016	Flare Nut	Copper nut	1.00	