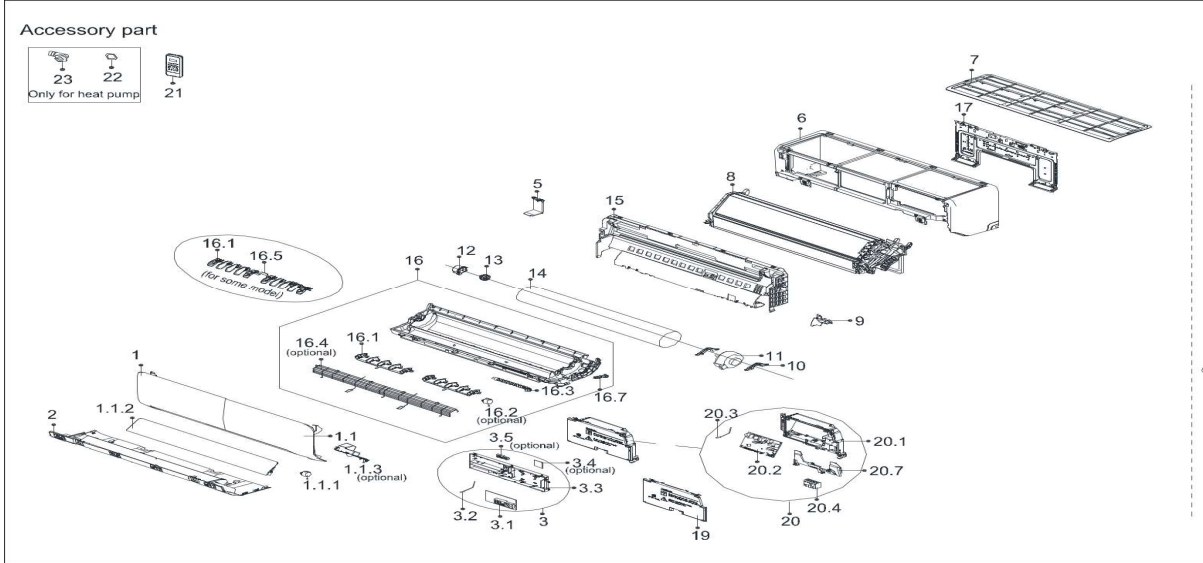


Code: 22022011015646
 Model: MSEP-12HFN8AD
 Brand: MIDEA
 Order: 62220-N1688403



EX_ID	Part Code	Part Name(EN)	Part Name(local)	Qty	Substitute	MIN_ORDER_QTY	Long Term Material(Y or N)
1	12122000A80429	Panel Assembly	Panel Assembly	1.00		1	
1.1	12122000026984	Panel Assembly	Panel Assembly	1.00		1	
1.1.1	11002010000326	Stepper Motor	Stepper Motor	1.00		1	
1.1.2	12122000027051	Louver Subassembly	Louver Subassembly	1.00		1	
2	12122000026607	Panel Assembly	Panel Assembly	1.00		1	
3	17222000A59009	Display box subassembly	Display box subassembly	1.00		1	
3.1	17122000050213	Display Board Subassembly	Display board subassembly	1.00		1	
3.2	11201007003103	Room Temperature Sensor	Room Temperature Sensor	1.00		0	
3.3	12122000026921	Display box	Display box	1.00		1	
5	12122000026621	Chassis support I	Chassis support I	1.00		1	
6	12122000026423	Panel Frame Assembly	Panel Frame Assembly	1.00		1	
7	12122000026428	Filter Assembly	Filter Assembly	1.00		1	
8	15822000A18343	Evaporator assembly	Evaporator assembly	1.00		1	
9	12122000026609	pipe clamp board	pipe clamp board	1.00		1	
10	12122000011994	Fixing board of fan motor	Fixing board of fan motor	2.00		1	
11	11002015000051	Brushless DC Motor	Brushless DC Motor	1.00	11002015A00236	1	N
12	12122000003350	Bearing Sleeve	Bearing Holder	1.00		1	
13	12622000000131	Bearing Block Assembly	Bearing Block Assembly	1.00	12622000A00001	1	
14	12100102000696	Cross Flow Fan	Cross Flow Fan	1.00	12100102A00186	1	
15	12122000026603	Chassis assembly(above)	Chassis assembly(above)	1.00		1	
16	12122000A78560	Chassis assembly(below)	Chassis assembly(below)	1.00		1	
16.1	12122000026617	Horizontal Louver	Horizontal louver	4.00		1	
16.2	11002010001486	Stepper Motor	Stepper Motor	1.00		1	
16.3	12100501000032	Drain Hose	Drain Hose	1.00		1	
16.5	12122000026618	Connecting rod of louver	Connecting rod of louver	1.00		1	
16.7	12622000000030	Drainage plug	Drainage plug	1.00		1	
17	12222000013705	Installation plate subassembly	Installation plate subassembly	1.00		1	
19	12122000026601	Cover of Electronic Control Box Subassembly	Cover of Electronic Control Box Subassembly	1.00		1	
20	17222000032078	Electronic control box subassembly (Mid and low)	Electronic control box subassembly (Mid and low)	1.00		1	
20.1	12122000026606	Electronic control box subassembly	Electronic control box subassembly	1.00		1	
20.2	17122000049351	Main control board subassembly	Main control board subassembly	1.00		1	
20.3	11201007003445	Pipe Temperature Sensor	Pipe Temperature Sensor	1.00		10	
20.4	17400401000576	Wire Joint	Wire Joint	1.00		1	
20.7	12122000026605	Electrical Control Box holder	Electrical Control Box holder	1.00		1	
21	17317000007594	Remote Controller	Remote Controller	1.00		1	
22	12600701000039	Sealing Ring	seal ring	1.00		1	
23	12100509000061	Water Outlet Pipe	Drain Hose	1.00		1	
40	12100204000685	Cold Catalyst Air Filter	Air Freshening Filter	1.00	12100204000685	1	
42	15500209000001	Pin Valve	Check valve	1.00		1	
45	12122000029201	Bracket of Remote Controller	Bracket of Remote Controller	1.00		1	
46	15500406000010	Flare Nut	Copper nut	1.00	15500406000015	0	N
46	15500406000016	Flare Nut	Copper nut	1.00		0	N
54	17310900A11749	WiFi Module Assembly	WiFi Module Assembly	1.00		1	

