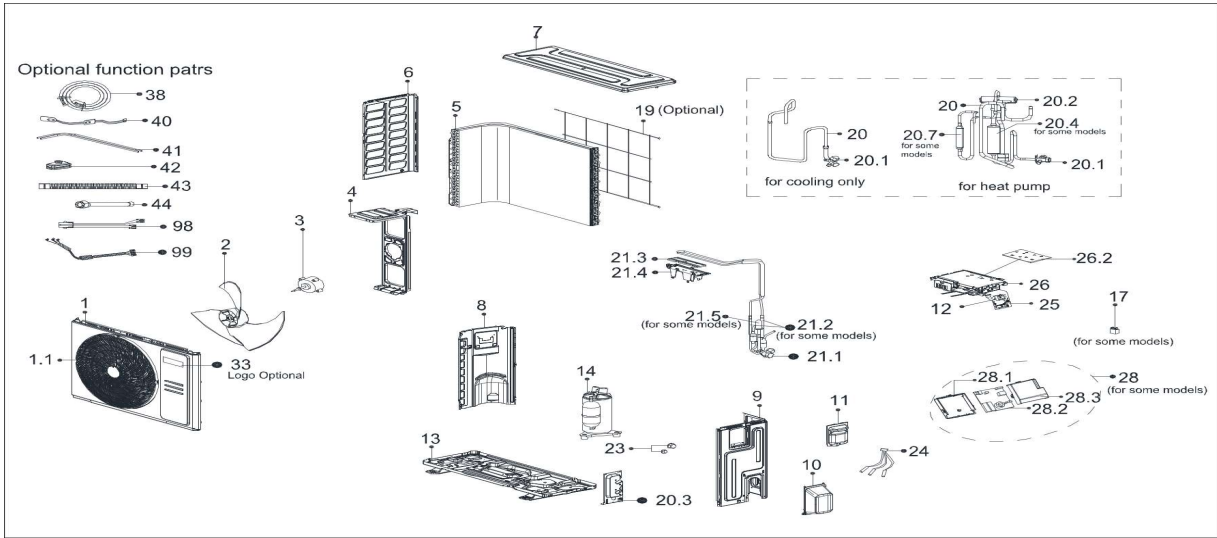


Code: 22022016015800  
 Model: MOX4-18HFN8AD  
 Brand: MIDEA  
 Order: 62220-N1690306



EX_ID	Part Code	Part Name(EN)	Part Name(local)	Qty	Substitute
1	12222000013248	Front panel	Front panel	1.00	
1.1	12122000026481	Air outlet grille	Air outlet grille	1.00	
2	12100105000841	Axial Flow Fan	Axial Flow Fan	1.00	12100105A00126
3	11002015000366	Brushless DC Motor	Brushless DC Motor	1.00	11002015A01198
4	12222000016865	Supporter subassembly of fan motor	Supporter subassembly of fan motor	1.00	
5	15822000009836	Condenser Assembly	Condenser Assembly	1.00	
6	12222000018448	Left side plate assembly of cabinet	Left side plate assembly of cabinet	1.00	
7	12222200005737	Top Cover Assembly	Top Cover Assembly	1.00	
8	12222000012366	Partition Plate	Partition Plate	1.00	
9	12222000012930	Right Clapboard Assembly	Right Clapboard Assembly	1.00	
10	12122000007150	Water Collector	Water Collector	1.00	
11	12122000031166	Big Handle Assembly	Big Handle Assembly	1.00	
12	17400401000016	Terminal	Terminal	1.00	
13	12222000013647	Chassis Assembly	Chassis Assembly	1.00	
14	11103020006459	DC Inverter Rotary Compressor	DC Inverter Rotary Compressor	1.00	11103020A00816
19	12222000013085	Rear Net	Rear Net	1.00	
20	15422000018615	4-way valve assembly	4-way valve assembly	1.00	
20.1	15500204000058	Gas Valve	Gas Valve	1.00	
20.2	15500216000026	Four-Way Valve	Four-Way Valve	1.00	15500216000003
20.3	12222200005738	Valve Plate	Valve Plate	1.00	
20.4	15122000027215	Muffler subassembly	Muffler subassembly	1.00	
21	15422000024130	Liquid valve Assembly	Liquid valve Assembly	1.00	
21.1	15500208000028	High Pressure Valve	Liquid Valve	1.00	
21.2	15500210003608	Throttle valve	Throttle valve	1.00	
21.3	11203803001176	Radiator	Radiator	1.00	
21.4	12122000011478	U-Typed Support with Copper Pipe	U-Typed Support with Copper Pipe	1.00	
21.5	15500213000047	Electronic Expansion Valve Subassembly	Electronic expansion valve subassembly	1.00	
23	15500406000012	Flare Nut	Copper nut	1.00	
23	15500406000016	Flare Nut	Copper nut	1.00	
24	11201011000188	Combination Sensor	Combination Sensor	1.00	
25	17222000031763	Terminal Board Subassembly	Terminal Board Subassembly	1.00	
26	17222000032758	Electronic control box subassembly	Electronic control box subassembly	1.00	17222000A58814
26.1	12122000008999	Electronic Installing Box	Electronic Installing Box	1.00	
26.2	17122000061280	Outdoor main control board subassembly	Outdoor main control board subassembly	1.00	
33	16022000D06891	Nameplate	Nameplate	1.00	
99	17401203012697	Compressor Wires Subassembly	Compressor Wires Subassembly	1.00	