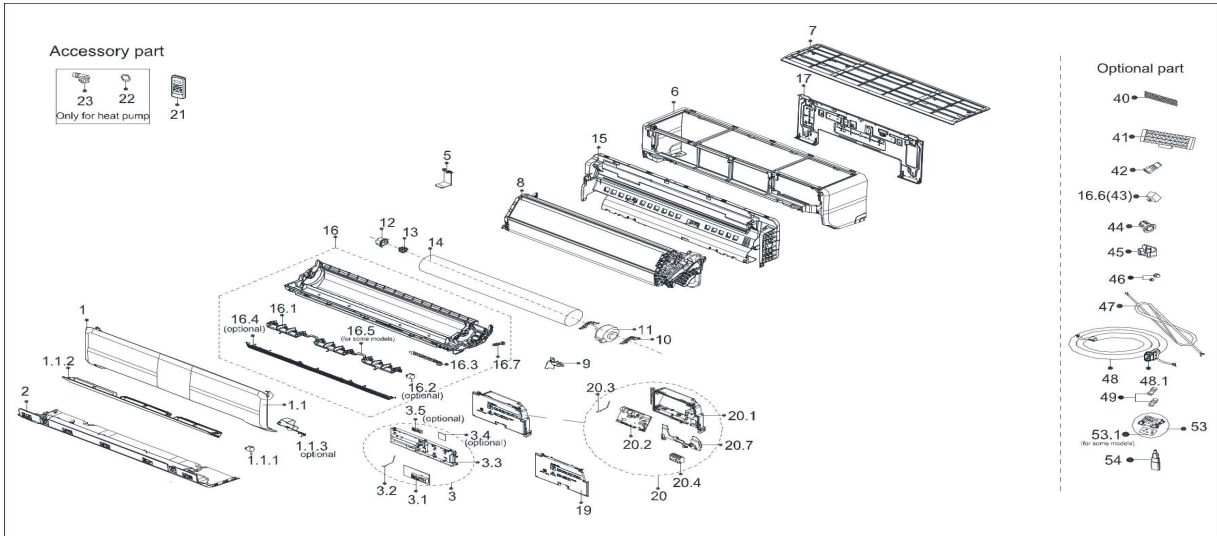


Code: 22022011015863
 Model: MSEP-18HFN8AD
 Brand: MIDEA
 Order: 62220-N1690305



EX_ID	Part Code	Part Name(EN)	Part Name(local)	Qty	Substitute
1	12122000A81313	Panel Assembly	Panel assembly	1.00	
1.1	1212200027562	Panel Assembly	Panel Assembly	1.00	
1.1.1	11002010001446	Stepper Motor	Stepper Motor	1.00	
1.1.2	12122000027035	Louver	Louver	1.00	
2	12122000027037	Panel Assembly	Panel Assembly	1.00	
3	17222000A59009	Display box subassembly	Display box subassembly	1.00	
3.1	1712200050213	Display board subassembly	Display board subassembly	1.00	
3.2	11201007003103	Room Temperature Sensor	Room Temperature Sensor	1.00	
3.3	12122000026921	Display box	Display box	1.00	
5	12122000026621	Chassis support I	Chassis support I	1.00	
6	12122000027027	Panel Frame Assembly	Panel frame assembly	1.00	
7	12122000027040	Filter Assembly	Filter Assembly	1.00	
8	15822000A18563	Evaporator assembly	Evaporator assembly	1.00	
9	12122000027026	pipe clamp board	pipe clamp board	1.00	
10	12122000011994	Fixing board of fan motor	Fixing board of fan motor	2.00	
11	11002015011867	Brushless DC Motor	Brushless DC Motor	1.00	11002015A01437
12	12122000000350	Bearing Sleeve	Bearing Holder	1.00	
13	12622000000131	Bearing Block Assembly	Bearing Block Assembly	1.00	12622000A00001
14	12100102000131	Cross Flow Fan	Cross Flow Fan	1.00	12100102A00146
15	12122000027029	Chassis Assembly(Above)	Chassis Assembly(Above)	1.00	
16	12122000A79517	Chassis assembly(below)	Chassis assembly(below)	1.00	
16.1	12122000026616	Horizontal Louver	Horizontal louver	6.00	
16.1	12122000026617	Horizontal Louver	Horizontal louver	6.00	
16.2	11002010001486	Stepper Motor	Stepper Motor	1.00	
16.3	12100501000032	Drain Hose	Drain Hose	1.00	
16.5	12122000027024	Connecting rod of louver	Connecting rod of louver	1.00	
16.7	12622000000030	Drainage plug	Drainage plug	1.00	
17	12222000013906	Installation Plate Subassembly	Installation Plate Subassembly	1.00	
19	12122000026601	Cover of Electronic Control Box Subassembly	Cover of Electronic Control Box Subassembly	1.00	
20	17222000032757	Electronic control box subassembly (Mid-and low-end)	Electronic control box subassembly (Mid-and low-end)	1.00	
20.1	12122000026606	Electronic control box subassembly	Electronic control box subassembly	1.00	
20.2	17122000050365	Main control board subassembly	Main control board subassembly	1.00	
20.3	11201007003445	Pipe Temperature Sensor	Pipe Temperature Sensor	1.00	
20.4	17400401000576	Wire Joint	Wire Joint	1.00	
20.7	12122000026605	Electrical Control Box holder	Electrical Control Box holder	1.00	
21	17317000007594	Remote Controller	Remote Controller	1.00	
22	12600701000039	Sealing Ring	seal ring	1.00	
23	12100509000061	Water Outlet Pipe	Drain Hose	1.00	
40	121002040000685	Cold Catalyst Air Filter	Air Freshening Filter	1.00	121002040000685
42	15500209000001	Pin Valve	Check valve	1.00	
45	12122000029201	Bracket of Remote Controller	Bracket of Remote Controller	1.00	
46	15500406000012	Flare Nut	Copper nut	1.00	
46	15500406000016	Flare Nut	Copper nut	1.00	
54	17310900A11749	WiFi Module Assembly	WiFi Module Assembly	1.00	