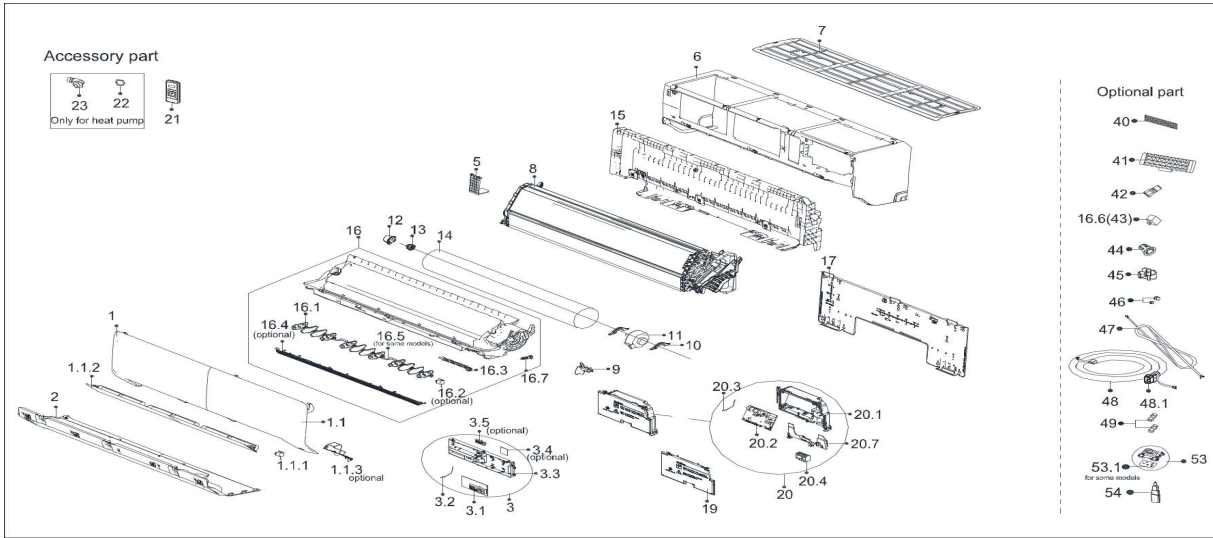


Code: 22022011015942
 Model: MSEP-24HFN8AD
 Brand: MIDEA
 Order: 62220-N1690307



EX_ID	Part Code	Part Name(EN)	Part Name(local)	Qty	Substitute
1	12122000A82407	Panel assembly	Panel assembly	1.00	
1.1	12122000027828	Panel assembly	Panel assembly	1.00	
1.1.1	11002010000326	Stepper Motor	Stepper Motor	2.00	
1.1.2	12122000027411	Louver	Louver	1.00	
2	12122000027414	Panel assembly	Panel assembly	1.00	
3	17222000A60130	Display box subassembly	Display box subassembly	1.00	
3.1	17122000050213	Display board subassembly	Display board subassembly	1.00	
3.2	11201007003103	Room Temperature Sensor	Room Temperature Sensor	1.00	
3.3	12122000026921	Display box	Display box	1.00	
5	12122000027407	Chassis support I	Chassis support I	1.00	
6	12122000027416	Panel frame assembly	Panel frame assembly	1.00	
7	12122000027419	Filter Assembly	Filter Assembly	1.00	
8	15822000A18564	Evaporator assembly	Evaporator assembly	1.00	
9	12122000027408	pipe clamp board	pipe clamp board	1.00	
10	12122000012959	Fixing board of fan motor	Fixing board of fan motor	2.00	
11	11002015008646	Brushless DC Motor	Brushless DC Motor	1.00	11002015A01177
12	12122000000350	Bearing Sleeve	Bearing Holder	1.00	
13	12622000000131	Bearing Block Assembly	Bearing Block Assembly	1.00	12622000A00001
14	12100102000716	Cross Flow Fan	Cross Flow Fan	1.00	
15	12122000027405	Chassis assembly(above)	Chassis assembly(above)	1.00	
16	12122000A82517	Chassis assembly(below)	Chassis assembly(below)	1.00	
16.1	12122000027421	Horizontal louver	Horizontal louver	6.00	
16.1	12122000027423	Horizontal louver	Horizontal louver	6.00	
16.2	11002010001486	Stepper Motor	Stepper Motor	1.00	
16.3	12100501000032	Drain Hose	Drain Hose	1.00	
16.5	12122000027422	Connecting rod of louver	Connecting rod of louver	1.00	
16.7	12622000000030	Drainage plug	Drainage plug	1.00	
17	12222000014246	Installation Plate Subassembly	Installation Plate Subassembly	1.00	
19	12122000027418	Cover of Electronic Control Box Subassembly	Cover of Electronic Control Box Subassembly	1.00	
20	17222000A66453	Electronic control box subassembly (Mid-and low-end)	Electronic control box subassembly (Mid-and low-end)	1.00	
20.1	12122000027403	Electronic control box subassembly	Electronic control box subassembly	1.00	
20.2	17122000A42057	Main control board subassembly	Main control board subassembly	1.00	
20.3	11201007003444	Pipe Temperature Sensor	Pipe Temperature Sensor	1.00	
20.4	17400401000576	Wire Joint	Wire Joint	1.00	
20.7	12122000027404	Electrical Control Box holder	Electrical Control Box holder	1.00	
21	17317000007594	Remote Controller	Remote Controller	1.00	
22	12600701000039	Sealing Ring	seal ring	1.00	
23	12100509000061	Water Outlet Pipe	Drain Hose	1.00	
40	12100204000685	Cold Catalyst Air Filter	Air Freshening Filter	1.00	12100204000685
42	15500209000002	Pin Valve	Detection Valve	1.00	
45	12122000029201	Bracket of Remote Controller	Bracket of Remote Controller	1.00	
46	15500406000003	Flare Nut	Copper nut	1.00	
46	15500406000010	Flare Nut	Copper nut	1.00	15500406000015
54	17310900A11749	WiFi Module Assembly	WiFi Module Assembly	1.00	