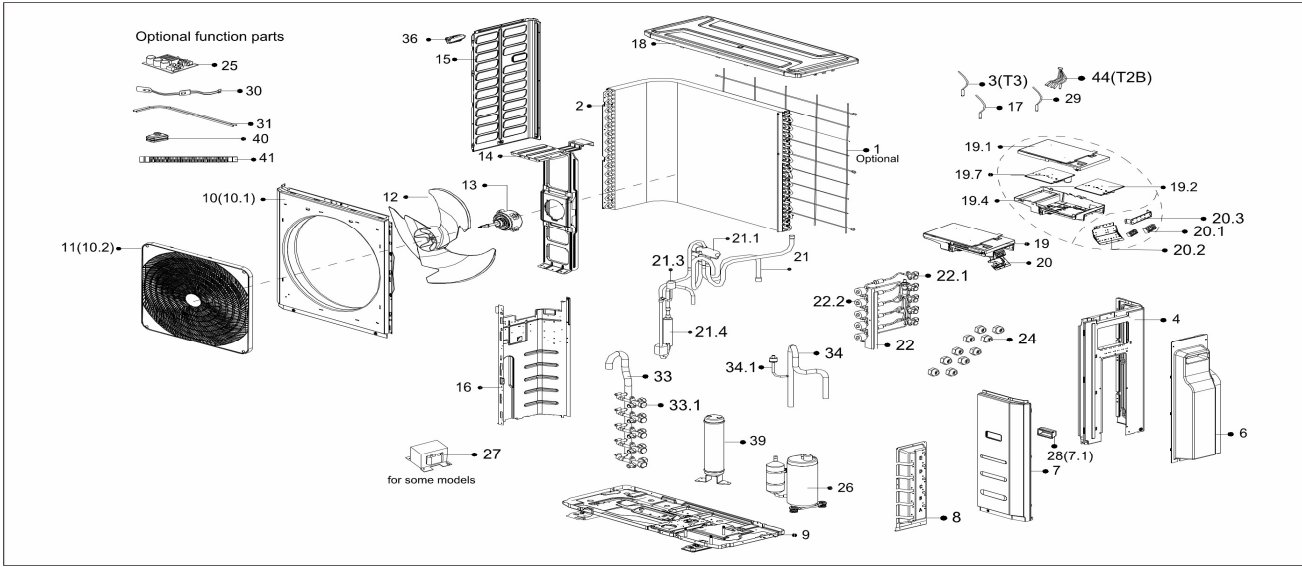


Exploded View

产品编码(Product model):
 客户编码(Customer No):
 客户型号(Customer model):
 订单编码(Order Product Code):

22022316001325
 G0000340
 M5OE-42HFN8-Q
 62223-F5685408



EX_ID	Spare Parts Code	Part Name(CN)	Part Name(EN)	Qty.	Remark2	Part Status	Drawing No	MIN_ORD ER_QTY	Long Term Material(Y or N)	High Rate of Replacemen t(Y or N)
2	1582200009436	冷凝器部件	Condenser Assembly	1		In Use	KFR-72W-D03.JC.ZL.1A(J)	1		
3	11201007003442	管温传感器	Pipe Temperature Sensor	1		In Use	CGQ-WD/GW4100-L850-XACP2-P800	0		
4	12222000012226	右后侧板部件	Rear right clapboard assembly	1		In Use	US1-KFR105W/BP3T4N1-D01.1A	1		
6	12122300000090	防护罩	Shield	1		In Use	AU-KFR105W/BP3T5N1-D01-1	1		
7	12222500000540	右前侧板部件(SB2098)	Front right clapboard assembly	1		In Use	KFR-72W-D01.6	1		
7.1	12100702000038	提手	handle	1		In Use	KFR-72W-D01.6-2	1		
8	12222000005272	阀安装板	Valve plate	1		In Use	WD01-3	1		
9	12222000006984	底座部件	Chassis assembly	1		In Use	WD01.1B1	1		
10	12222000005984	前面板	Front panel	1		In Use	KFR-72W-D01.4-1	1		
11	12122000013581	出风网罩	Air outlet grille	1		In Use	WD01-5	1		
12	12100105000084	轴流风叶(带缺口)	Axial flow fan	1		In Use	ZL-560*139*12-3KN	1		
13	11002015000247	无刷直流电机	Brushless DC Motor	1		In Use	ZKFN-120-8-2	1		
14	12222500000547	电机支架组件	Supporter subassembly of fan motor	1		In Use	KFR-72W-D01.2A	1		
15	12222500000539	左侧板部件(SB2098)	Left side plate assembly of cabinet	1		In Use	KFR-72W-D01.8	1		
15.1	12100701000033	小把手	Small handle	1		In Use	KFR-51W-C01.9-2	1		
16	12222000011158	隔板部件	Partition board assembly	1		In Use	W350L.2(BP3)	1		
17	11201007003423	室温传感器	Room Temperature Sensor	1		In Use	CGQ-WD/SW4100-L700-XHBPC2BL-P650-HT1.0	0		
18	12222500000587	顶盖部件	Top cover assembly	1		In Use	KFR-72W-D01.3B	1		
19	17222000038382	外销变频室外电控盒组件	Electronic control box subassembly	1		In Use	EU-KFR120W/BP3T5N8-D30(PSS30S92F6+R32).JD.FW.WXWKB.DK1.1	1		
19.1	12122000002719	电控安装盒组件	Electronic installing box subassembly	1		In Use	W350.D.2	1		
19.2	17122000052264	外销变频室外主控板组件	Outdoor main control board subassembly	1		In Use	EU-KFR120W/BP3T5N8-D30(R32).ZJD.JFW.WXWKB.WK2.1			
19.4	12122000002715	电控安装盒组件	Electronic installing box subassembly	1		In Use	W350.D.1	1		
19.7	17122000056253	变频模块组件(室外)	Inverter module subassembly	1		In Use	AU-KFR120W/BP3T5N8 (KTF310D43UMT) - D31.D.13.MK2.2	1		
20	17222300000690	电控盒端子板组件	Terminal board subassembly	1		In Use	AU-KFR105W/BP3T5N1-D30.ZJD.ZSY.03.DZ1-1	1		
20.1	17400401000084	接线座(9位)	Terminal	2		In Use	JXZ-PD9ZC	1		
20.2	12222300000033	端子安装板	Terminal board	1		In Use	IL-KFR80W/BP3T4N1-350.D.13.DK1.1-1	1		
20.3	12222300000032	端子安装板	Terminal board	1		In Use	IL-KFR80W/BP3T4N1-350.D.13.DK1.1-2	1		
21	15422000019552	四通阀部件	4-way valve assembly	1		In Use	EU-KFR120W/BP3T5N1-D30.ZL.1B	1		
21.1	15500216000361	四通阀	4-way valve	1		In Use	STF-02BN1	1		
21.3	17400516000851	压力控制器	Pressure switch	1		In Use	YK-4.4/3.2-500-1	1		
21.4	15122000027837	消声器组件	Muffler subassembly	1		In Use	CAUS1-KFR105W/BP3T5N1-D01.ZL.1.1	1		
22	15422300000385	高压阀部件	Liquid valve assembly	1		In Use	EU-KFR120W/BP3T5N1-D30.ZL.3	1		
22.1	15500208000028	高压阀	Liquid valve	5		In Use	GYF-A28N	1		
22.2	15500213000046	电子膨胀阀组件	Electronic expansion valve subassembly	5		In Use	DPF(TS)1.65C-63(L=900)	1		
24	15500406000010	铜螺母	Copper nut	4	A01=6.35mm(1/4in); B02=9.52mm(3/8in); C03=12.7mm(1/2in); D04=15.9mm(5/8in); E05=19mm(3/4in); F07=22mm(7/8in);	In Use	TLM-B02	0	N	N

24	15500406000012	铜螺母	Copper nut	1	A01=6.35mm(1/4in); B02=9.52mm(3/8in); C03=12.7mm(1/2in); D04=15.9mm(5/8in); E05=19mm(3/4in);F0 7=22mm(7/8in);	In Use	TLM-C03	0	N	N
24	15500406000016	铜螺母	Copper nut	5	A01=6.35mm(1/4in); B02=9.52mm(3/8in); C03=12.7mm(1/2in); D04=15.9mm(5/8in); E05=19mm(3/4in);F0 7=22mm(7/8in);	In Use	TLM-A01	0	N	N
26	11103020000719	变频旋转式压缩机	DC Inverter Rotary Compressor	1		In Use	KTF310D43UMT			
27	17400306001683	电抗器(RoHS)	Reactor	1		In Use	R25027D(Cu)	1		
29	11201007003124	排气温度传感器	Discharge Temperature Sensor	1		In Use	CGQ-WD/PQ3950-L1000-XHBCP2BK-G950	10		Y
33	15422300000384	低压阀部件	Gas valve assembly	1		In Use	EU-KFR120W/BP3T5N1-D30.ZL.2	1		
33.1	15500204000021	低压阀	Gas valve	4		In Use	DYF-A28N	1		
33.1	15500204000058	低压阀	Gas valve	1		In Use	DYF-B29N	1		
34	15122300001024	压缩机回气管部件	Suction pipe assembly	1		In Use	CAUS1-KFR105W/BP3T5N1-D01.ZL.6	1		
34.1	17400516000848	压力控制器	Pressure switch	1		In Use	YK-0.14/0.3-500	1		
39	15500508000315	贮液筒	Accumulator cylinder	1		In Use	ZYT-12	1		
43	15500303002544	管接头组件	Pipe joint subassembly	1	A01=6.35mm(1/4in); B02=9.52mm(3/8in); C03=12.7mm(1/2in); D04=15.9mm(5/8in); E05=19mm(3/4in);F0 7=22mm(7/8in);	In Use	ZHJTJ-12.7-9.52	1		
43	15500303002545	管接头组件	Pipe joint subassembly	1	A01=6.35mm(1/4in); B02=9.52mm(3/8in); C03=12.7mm(1/2in); D04=15.9mm(5/8in); E05=19mm(3/4in);F0 7=22mm(7/8in);	In Use	ZHJTJ-9.52-12.7	1		
44	11201007000142	管温传感器	Pipe Temperature Sensor	1		In Use	CGQ-WD/GW4100-L1200-XHP12-P1140-05	0		
99	17401203000939	压缩机连接线组	Compressor wire subassembly	1		In Use	PXQ-YSJ550RD/540BL/560BK-MG620044-14#- C-GJ	1		