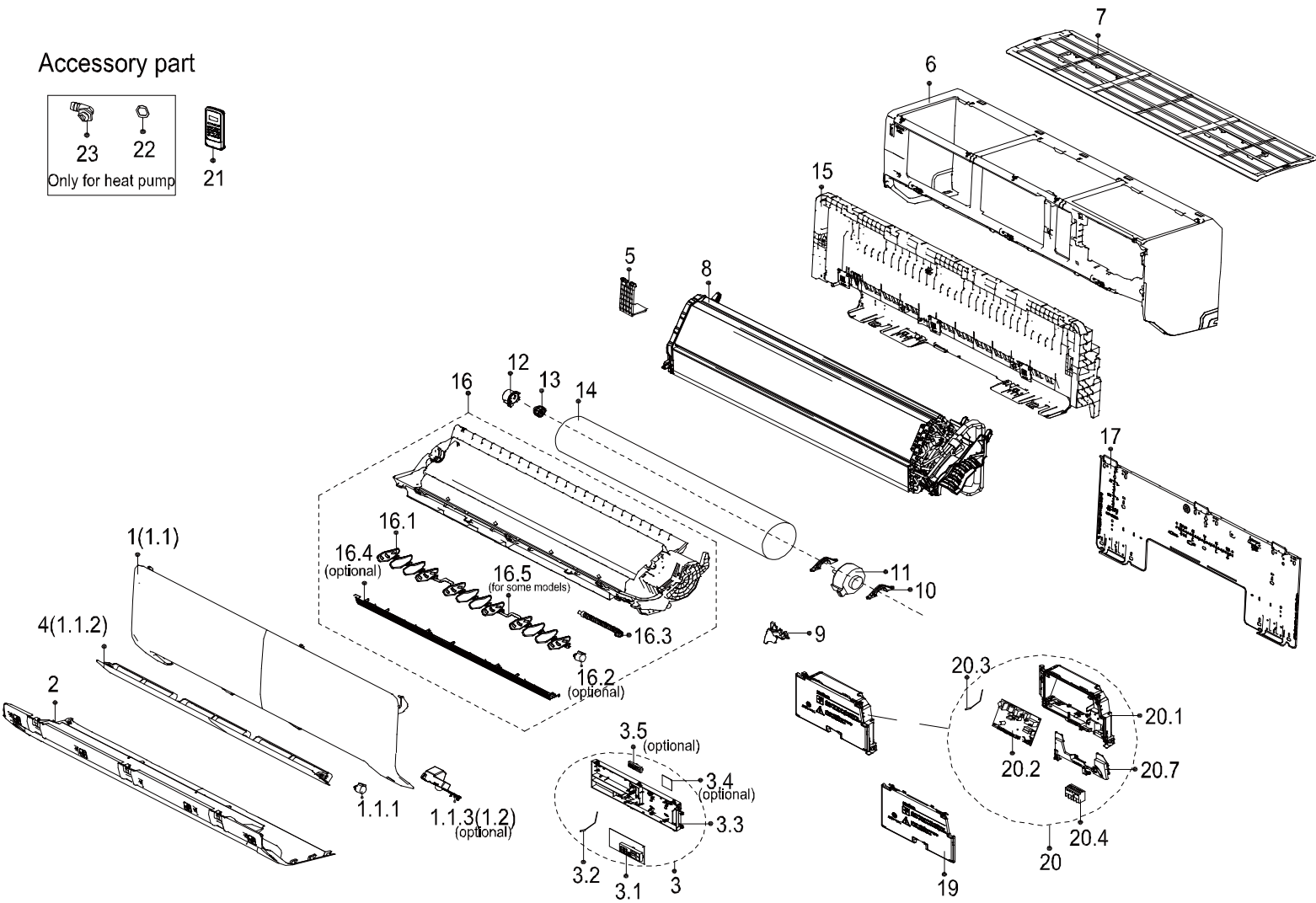
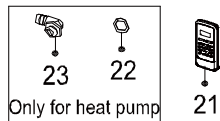
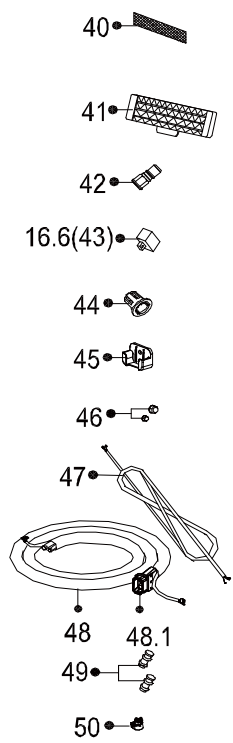


# Accessory part



# Optional part



### Exploded View

产品编码(Product model) : 22022011015942  
 客户编码(Customer No) : G0000340  
 客户型号(Customer model) : MSEPDU-24HRFN8-QRD0GW  
 订单编码(Order Product Code) : 62220-H0312905

EX_ID	Spare Parts Code	Part Name(CN)	Part Name(EN)	Qty.	Remark2	Part Status	Drawing No	MIN_ORDE R_QTY	Long Term Material(Y or N)	High Rate of Replacemen t(Y or N)	SB Type	Replace Type	Remarks
1	12122000A82407	面板部件	Panel assembly	1		In Use	MIDEA-KFR70G/BP2DN8Y-EP.5A-0103	1					
1.1	12122000027828	面板部件	Panel assembly	1		In Use	CE-KFR70G/BP2DN8Y-EP.5.1A	1					
1.1.1	11002010000326	步进电机	Stepper Motor	2		In Use	SM-24-19-16-109						
1.1.2	12122000027411	导风板	Horizontal louver	1		In Use	CE-KFR70G/BP2DN8Y-EP.15-1						
2	12122000027414	面板部件	Panel assembly	1		In Use	CE-KFR70G/BP2DN8Y-EP.4	1					
3	17222000A60130	外铜分体显示盒组件	Display box subassembly	1		In Use	EU-KFR70G/BP3N8Y-EPBU(RD6)- GW_JD.GN.WXXS.XK1.3(AG-DISP.T1,WIFI)						
3.1	17122000050213	外铜分体显示板组件	Display board subassembly	1		In Use	EU-KFR26G/BP3N8Y-EPBU(RD6)- GW_JD.GN.WXXS.XS2.1(AG-DISP.T1)						
3.2	11201007003103	室温传感器	Room Temperature Sensor	1		In Use	CGO-WD/SW4100-L100-XHP2	0					
3.3	12122000026921	显示灯盒	Display box	1		In Use	EU-KFR26G/BP3N8Y-EPBU(RD6)- GW_JD.GN.WXXS.XK1.1.1	1					
5	12122000027407	底盘支撑脚	Chassis support I	1		In Use	CE-KFR70G/BP2DN8Y-EP.1-2						
6	12122000027416	面板部件	Panel frame assembly	1		In Use	CE-KFR70G/BP2DN8Y-EP.3						
7	12122000027419	过滤网组件	Filter filter subassembly	1		In Use	CE-KFR70G/BP2DN8Y-EP.6	1					
8	15822000A18564	蒸发器部件	Evaporator assembly	1		In Use	EU-KFR70G/BP3N8Y-EPDU(RD0)- GW_ZL(DZ)						
9	12122000027408	配管压板	pipe clamp board	1		In Use	CE-KFR70G/BP2DN8Y-EP.1	1					
10	12122000012959	电机压板	Fixing board of fan motor	2		In Use	CE-KFR70G/N1Y-VP.3	1					
11	11002015008646	无刷直流电机	Brushless DC Motor	1		In Use	ZKFP-58-8-1-5						
12	12122000000350	轴承座套	Bearing holder	1		In Use	ZCZT-01	1					
13	12622000000131	轴承座组件	Bearing components	1		In Use	ZCZZJ-01	1					
14	12100102000716	贯流风轮	Cross flow fan	1		In Use	GL-121*883-IN	1					
15	12122000027405	室内机底盘部件(上)	Chassis assembly(above)	1		In Use	CE-KFR70G/BP2DN8Y-EP.1	1					
16	12122000A82517	室内机底盘部件(下)	Chassis assembly(below)	1		In Use	CE-KFR70G/BP2DN8Y-EP.2C	1					
16.1	12122000027421	百叶	Horizontal louver	6		In Use	CE-KFR70G/BP2DN8Y-EP.2-15A	1					
16.1	12122000027423	百叶	Horizontal louver	6		In Use	CE-KFR70G/BP2DN8Y-EP.2-15B	1					
16.2	11002010001486	步进电机	Stepper Motor	1		In Use	SM-24-19-16-140						
16.3	12100501000032	出水喉	Drain hose	1		In Use	KFR-26G/BP2DN1Y-IC-10	1					
16.5	12122000027422	百叶连杆	Connecting rod of louver	1		In Use	CE-KFR70G/BP2DN8Y-EP.2-16	1					
16.7	12622000000030	排水塞	Drainage plug	1		In Use	PSS-02	1					
17	12222000014246	室内机安装板组件	Installation plate subassembly	1		In Use	CE-KFR70G/BP2DN8Y-EP.40	1					
19	12122000027418	电控盒盖组件	Cover of electronic control box subassembly	1		In Use	CE-KFR70G/BP2DN8Y-EP.9	1					
20	17222000033135	外铜分体室内电控盒组件(中低端)	Electronic control box subassembly (Mid-and low-end)	1		In Use	EU-KFR70G/BP3N8Y-EPCU(RD0)- GW_JD.GN.WXNK.DK2.1	1					
20.1	12122000027403	电控盒结构组件	Electronic control box subassembly	1		In Use	CE-KFR70G/BP2DN8Y-EP.8	1					
20.2	17122000050283	外铜分体室内主控板组件	Main control board subassembly	1		In Use	EU-KFR70G/BP3N8Y-EPCU(RD0)- GW_JD.GN.WXNK.NK2.3						
20.3	11201007003444	管温传感器	Pipe Temperature Sensor	1		In Use	CGO-WD/GW4100-L700-XACP2-P650	0					
20.4	17400401000576	接线座	Wire joint	1		In Use	JXZ-AD5ZG2-A	1					
20.7	12122000027404	电控盒支架	Electrical Control Box holder	1		In Use	CE-KFR70G/BP2DN8Y-EP.8-4	1					
21	17317000007594	遥控器	Remote controller	1		In Use	RG10A(B2S)/BGEF	1					
22	12600701000039	密封胶圈	seal ring	1		In Use	KC25B.4-8A	1					
23	12100509000061	出水接管	Drain hose	1		In Use	CSJG-1	1					
40	12100204000685	冷触媒过滤网	Air freshening filter	1		In Use	KFR-23G/A.Y.1-10	1					
42	15500209000002	检测阀	Detection valve	1		In Use	JCF-02	1					
45	12122000029201	遥控器安装支架组件	Bracket of remote Controller	1		In Use	RG10ZJ-1	1					
46	15500406000003	铜螺母	Copper nut	1	A01=6.3 5mm(1/4 in);B02= 9.52mm( 3/8in);C 03=12.7 mm(1/2 in);D04= 15.3mm( 5/8in);E0 5=19mm (3/4in);F 07=22m m(7/8in);	In Use	TLM-D04	0	N	N			

46	15500406000010	铜螺母	Copper nut	1	A01=6.35mm(1/4 in);B02=9.52mm(3/8in);C03=12.7mm(1/2 in);D04=15.8mm(5/8in);E05=19mm(3/4in);F07=22mm(7/8in).	In Use	TLM-B02	0	N	N			
54	17310900003721	WiFi模块组件	WiFi module subassembly	1		In Use	EU-SK105.JD.TY.MWL.NET	1					