

# Spare Part List & Exploded View

## Liste des Pièces détachées et Vues éclatées

**WIT-09322.MH**

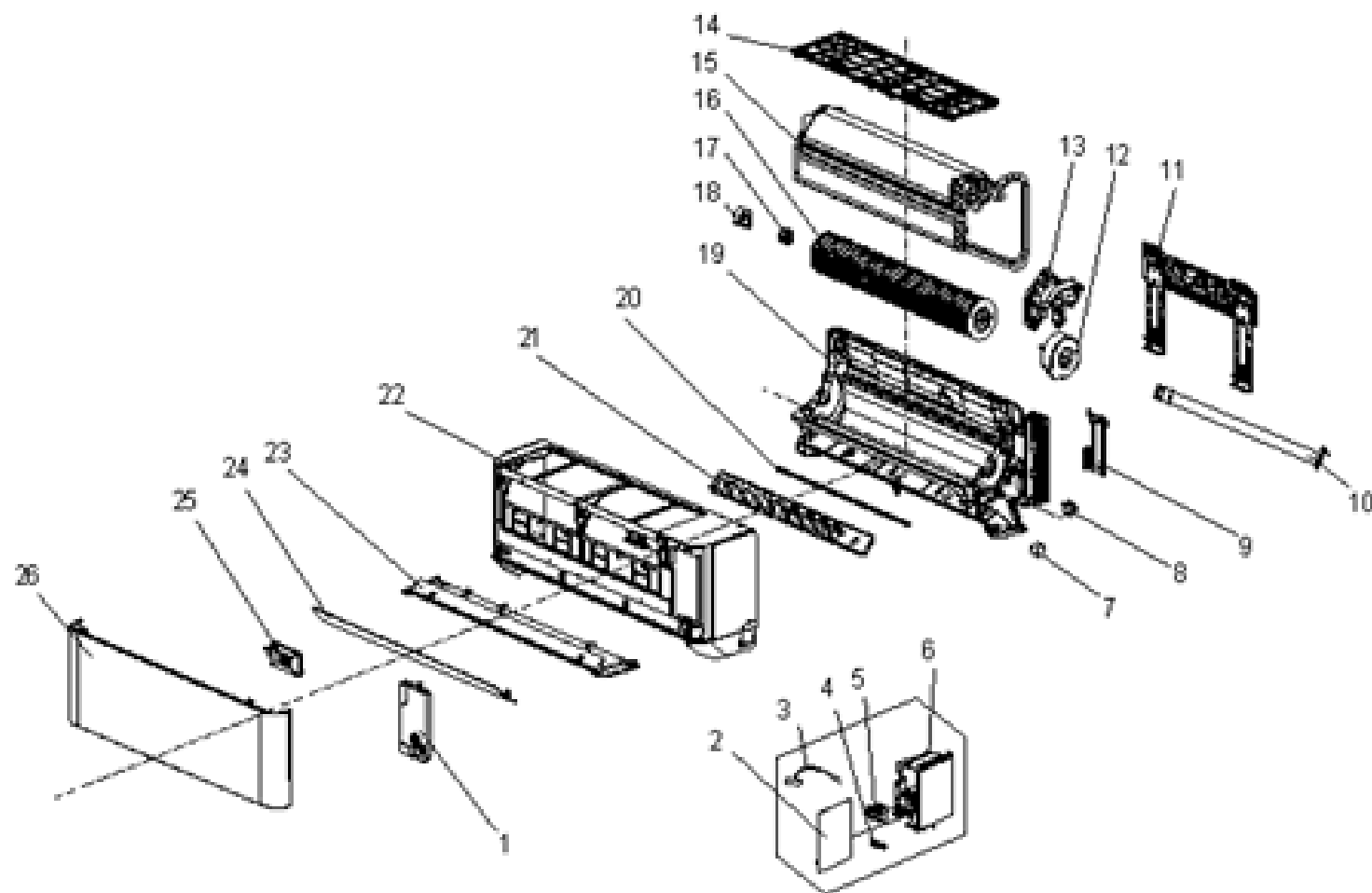
**R32**



**Updated on: 14 NOV 22**

# Exploded View - Vues éclatées

## WIT-09322.MH INDOOR UNIT – UNITE INTERIEURE

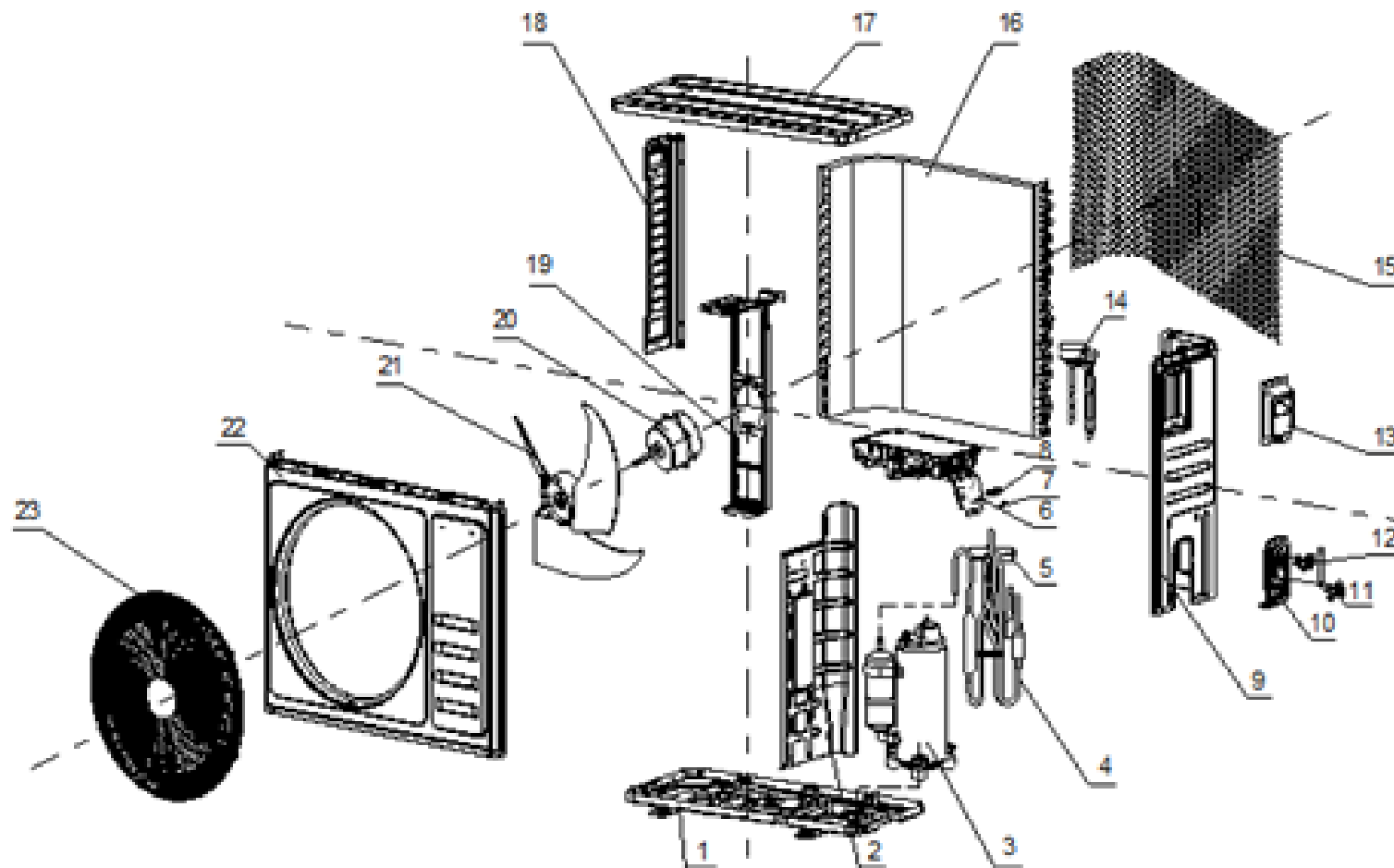


Photos non contractuelles

**WIT-09322.MH INDOOR UNIT - UNITE INTERIEURE****Spare parts list****Liste des pièces détachées**

N°	Part Name	Part Code	Qty	Qty to order
1	Electrical Box Cover	41105-000373	1	
2	Main PCB	31101-001977	1	
3	Indoor Sensor Assembly	10104-100014	1	
4	Cable Clamp	42001-000135	1	
5	Terminal	11304-100048	1	
6	Electrical Box	41105-000415	1	
7	Vane Motor	22001-000313	1	
8	Step Motor	29901-000078	1	
9	In And Out Pipe Cover	41101-000354	1	
10	Drainage Hose	42009-000011	1	
11	Installation Plate	41109-000070	1	
12	Indoor Motor	22001-000409	1	
13	Indoor Motor Cover	41108-000135	1	
14	Air Filter	41108-000133	2	
15	Evaporator	92011-008568	1	
16	Cross Fan	42004-000210	1	
17	Bearing Mount	42007-000009	1	
18	Bearing Mount Holder	41101-000251	1	
19	Base	41199-004344	1	
20	Step Motor Connect Rod	41101-000352	1	
21	Vertical Vane Assembly	41101-000371	2	
22	Face Frame	41106-004031	1	
23	Front Cover Panel	41106-003821	1	
24	Vane	41103-000487	1	
25	Display PCB	31102-000282	1	
26	Panel	41106-005679	1	
27	Remote Controller	22013-003993	1	
28	Indoor Carton	A1101-018508	1	
29	Left Foaming	A1102-000001	1	
30	Right Foaming	A1102-000002	1	

**Exploded View - Vues éclatées**  
**WIT-09322.MH OUTDOOR UNIT – UNITE EXTERIEURE**



Photos non contractuelles

**WIT-09322.MH OUTDOOR UNIT - UNITE EXTERIEURE****Spare parts list  
Liste des pièces détachées**

N°	Part Name	Part Code	Qty	Qty to order
1	Base	41202-000389	1	
2	Partition Plate	41208-000205	1	
3	Compressor And Accessories	92014-000879	1	
4	4-Way Valve Assembly	92007-018651	1	
5	4-Way Valve	92008-000289	1	
6	Outdoor Pcb Assembly	31201-002598	1	
7	Cable Clamp	42001-000038	1	
8	Terminal	11304-100036	1	
9	Right Plate	41205-000071	1	
10	Valve Supporter	41204-000018	1	
11	Three-Way Valve	92007-018704	1	
12	Two-Way Valve	92007-001060	1	
13	Eelectronic Box Cover	41201-000029	1	
14	Electronic Expand Valve	92007-018196	1	
15	Grille	42011-000129	1	
16	Condenser	92011-008762	1	
17	Top Cover	41207-000040	1	
18	Left Plate	41205-000131	1	
19	Outdoor Motor Supporter	41203-000045	1	
20	Outdoor Motor	22001-000555	1	
21	Propeller Fan	42004-000106	1	
22	Front Plate	41206-000048	1	
23	Fan Guard	42011-000104	1	
24	Outdoor Temp. Sensor	10104-100136	1	
25	Base Carton	A1201-014186	1	
26	Cabinet Carton	A1201-019870	1	
27	Base Foaming	A1202-000099	1	
28	Cover Foaming	A1202-000098	1	

Specifications are subject to possible modifications without prior notice. Les présentes spécifications sont susceptibles d'être modifiées sans préavis. Las especificaciones están sujetas a cambios sin previo aviso