

# Spare Part List & Exploded View

## Liste des Pièces détachées et Vues éclatées

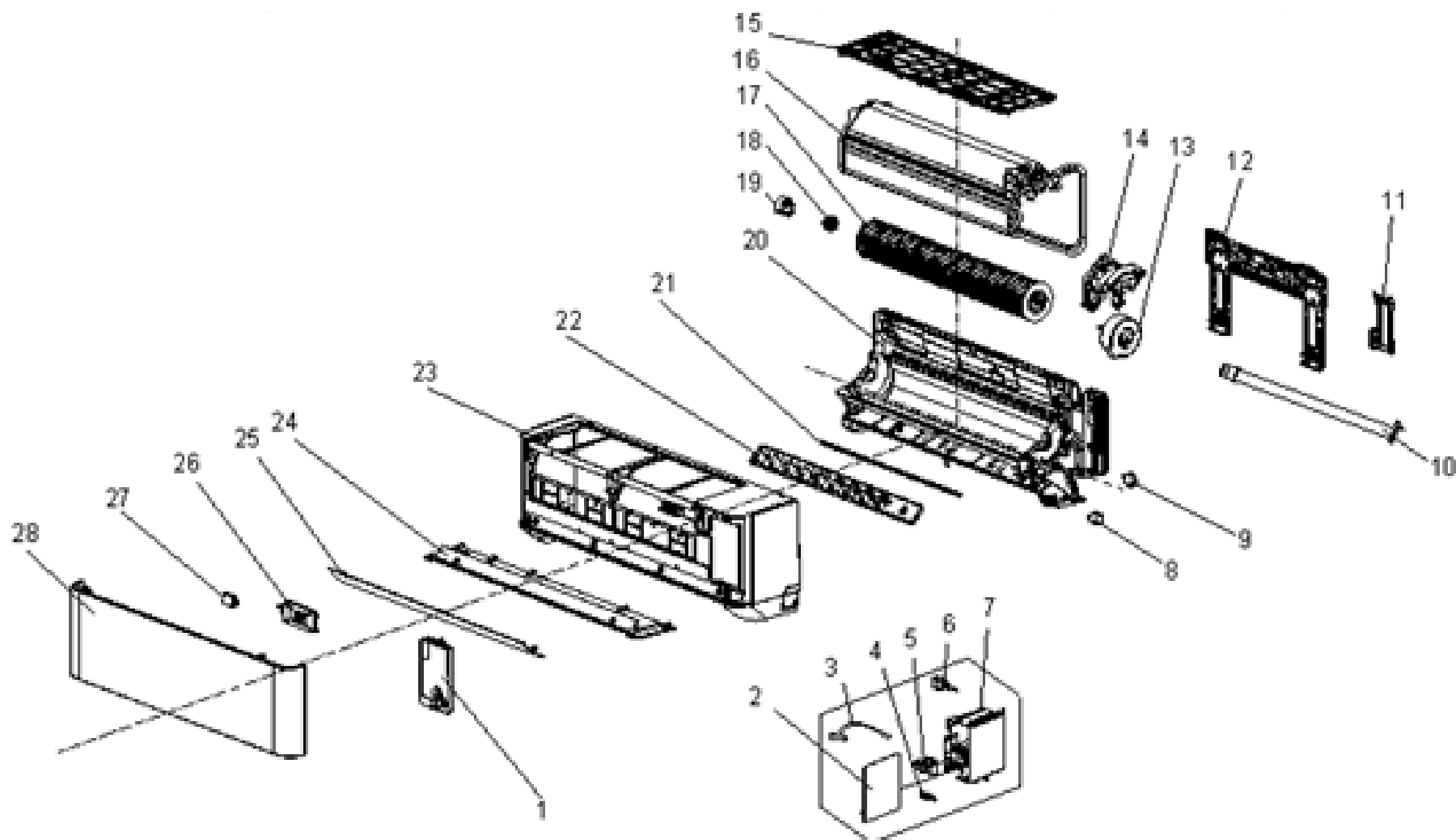
### WIT-12322.MH

### R32



**Updated on: 14 NOV 22**

# Exploded View - Vues éclatées WIT-12322.MH INDOOR UNIT – UNITE INTERIEURE



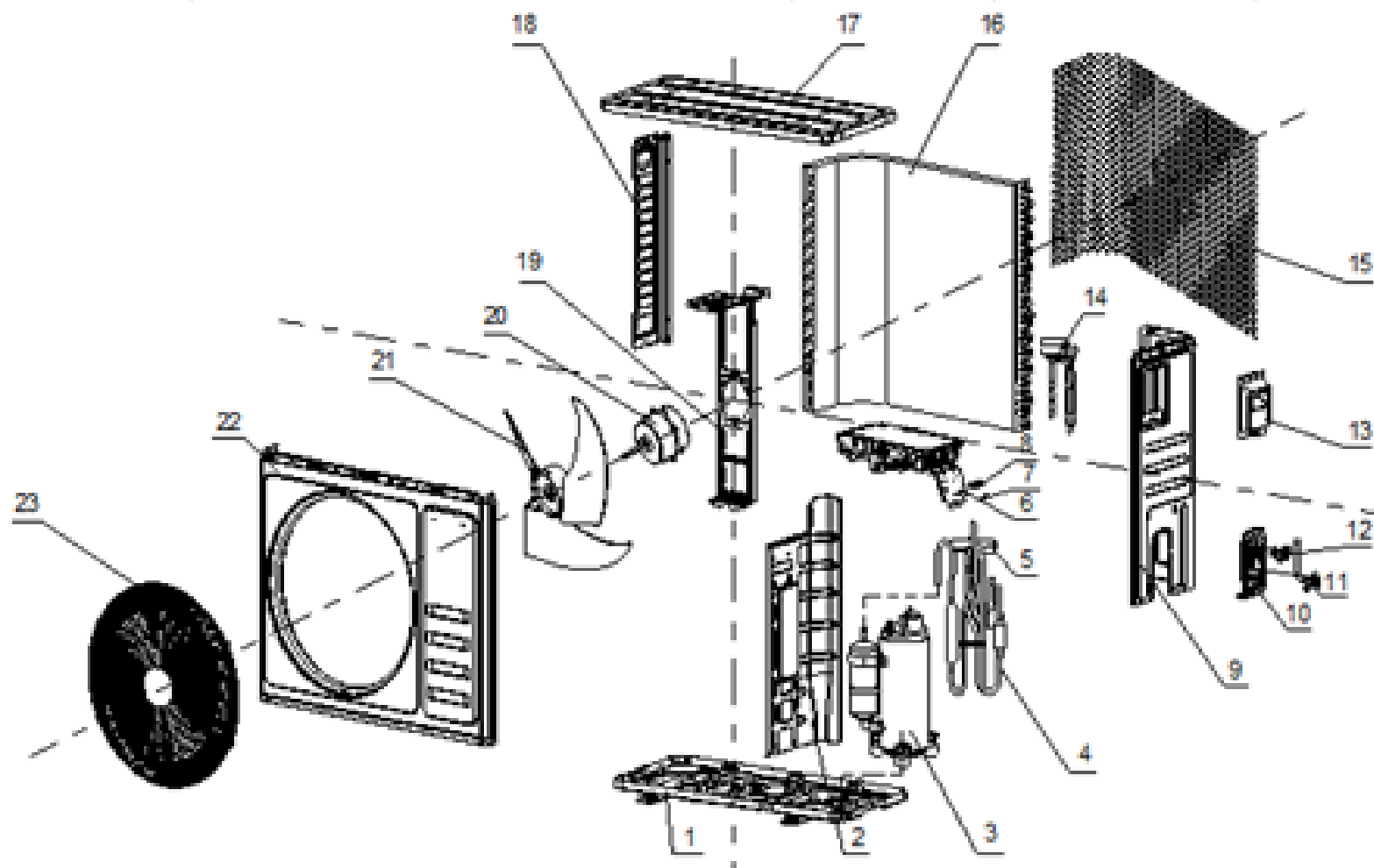
Photos non contractuelles

**WIT-1232.MH INDOOR UNIT - UNITE INTERIEURE****Spare parts list****Liste des pièces détachées**

| N° | Part Name              | Part Code    | Qty | Qty to order |
|----|------------------------|--------------|-----|--------------|
| 1  | Electrical Box Cover   | 41105-000373 | 1   |              |
| 2  | Main PCB               | 31101-001987 | 1   |              |
| 3  | Indoor Sensor Assembly | 10104-100014 | 1   |              |
| 4  | Cable Clamp            | 42001-000135 | 1   |              |
| 5  | Terminal               | 11304-100048 | 1   |              |
| 6  | WIFI USB Connector     | /            | 1   |              |
| 7  | Electrical Box         | 41105-000415 | 1   |              |
| 8  | Vane Motor             | 22001-000313 | 1   |              |
| 9  | Step Motor             | 29901-000078 | 1   |              |
| 10 | In And Out Pipe Cover  | 41101-000354 | 1   |              |
| 11 | Drainage Hose          | 42009-000011 | 1   |              |
| 12 | Installation Plate     | 41109-000075 | 1   |              |
| 13 | Indoor Motor           | 22001-000409 | 1   |              |
| 14 | Indoor Motor Cover     | 41108-000153 | 1   |              |
| 15 | Air Filter             | 41108-000152 | 1   |              |
| 16 | Evaporator             | 92011-005824 | 1   |              |
| 17 | Cross Fan              | 42004-000190 | 1   |              |
| 18 | Bearing Mount          | 42007-000009 | 1   |              |
| 19 | Bearing Mount Holder   | 41101-000251 | 1   |              |
| 20 | Base                   | 41199-004533 | 1   |              |
| 21 | Step Motor Connect Rod | 41101-000397 | 1   |              |
| 22 | Vertical Vane          | 41101-000371 | 14  |              |
| 23 | Face Frame             | 41106-004133 | 1   |              |
| 24 | Front Cover Panel      | 41106-004046 | 1   |              |
| 25 | Vane                   | 41103-000499 | 1   |              |
| 26 | Display PCB            | 31102-000282 | 1   |              |
| 27 | WIFI PCB               | /            | 1   |              |
| 28 | Panel                  | 41106-005687 | 1   |              |
| 29 | Remote Controller      | 22013-003993 | 1   |              |
| 30 | Indoor Carton          | A1101-018643 | 1   |              |
| 31 | Left Foaming           | A1102-000005 | 1   |              |
| 32 | Right Foaming          | A1102-000006 | 1   |              |

# Exploded View - Vues éclatées

## WIT-12322.MH OUTDOOR UNIT – UNITE EXTERIEURE



Photos non contractuelles

**WIT-12322.MH OUTDOOR UNIT - UNITE EXTERIEURE****Spare parts list  
Liste des pièces détachées**

| <b>N°</b> | <b>Part Name</b>              | <b>Part Code</b> | <b>Qty</b> | <b>Qty to order</b> |
|-----------|-------------------------------|------------------|------------|---------------------|
| 1         | Base                          | 41202-000507     | 1          |                     |
| 2         | Partition Plate               | 41208-001033     | 1          |                     |
| 3         | Compressor And Accessories    | 92014-000741     | 1          |                     |
| 4         | 4-Way Valve Assembly          | 92007-017779     | 1          |                     |
| 5         | 4-Way Valve                   | 92008-000245     | 1          |                     |
| 6         | Outdoor Pcb Assembly          | 31201-002618     | 1          |                     |
| 7         | Cable Clamp                   | 42001-000038     | 1          |                     |
| 8         | Terminal                      | 11304-100036     | 1          |                     |
| 9         | Right Plate                   | 41205-000849     | 1          |                     |
| 10        | Valve Supporter               | 41204-000018     | 1          |                     |
| 11        | Three-Way Valve               | 92007-001041     | 1          |                     |
| 12        | Two-Way Valve                 | 92007-001060     | 1          |                     |
| 13        | Eelectronic Box Cover         | 41201-000029     | 1          |                     |
| 14        | Electronic Expand Valve       | 92007-018578     | 1          |                     |
| 15        | Grille                        | 42011-000475     | 1          |                     |
| 16        | Condenser                     | 92011-007904     | 1          |                     |
| 17        | Top Cover                     | 41207-000031     | 1          |                     |
| 18        | Left Plate                    | 41205-000649     | 1          |                     |
| 19        | Outdoor Motor Supporter       | 41203-000522     | 1          |                     |
| 20        | Outdoor Motor                 | 22001-000555     | 1          |                     |
| 21        | Propeller Fan                 | 42004-000104     | 1          |                     |
| 22        | Front Plate                   | 41206-000101     | 1          |                     |
| 23        | Fan Guard                     | 42011-000089     | 1          |                     |
| 24        | Outdoor Temp. Sensor Assembly | 10104-100136     | 1          |                     |
| 25        | Base Carton                   | A1201-014186     | 1          |                     |
| 26        | Cabinet Carton                | A1201-019870     | 1          |                     |
| 27        | Base Foaming                  | A1202-000099     | 1          |                     |
| 28        | Cover Foaming                 | A1202-000098     | 1          |                     |

Specifications are subject to possible modifications without prior notice. Les présentes spécifications sont susceptibles d'être modifiées sans préavis. Las especificaciones están sujetas a cambios sin previo aviso