

Spare Part List & Exploded View

Liste des Pièces détachées et Vues éclatées

WIT-24222.MH

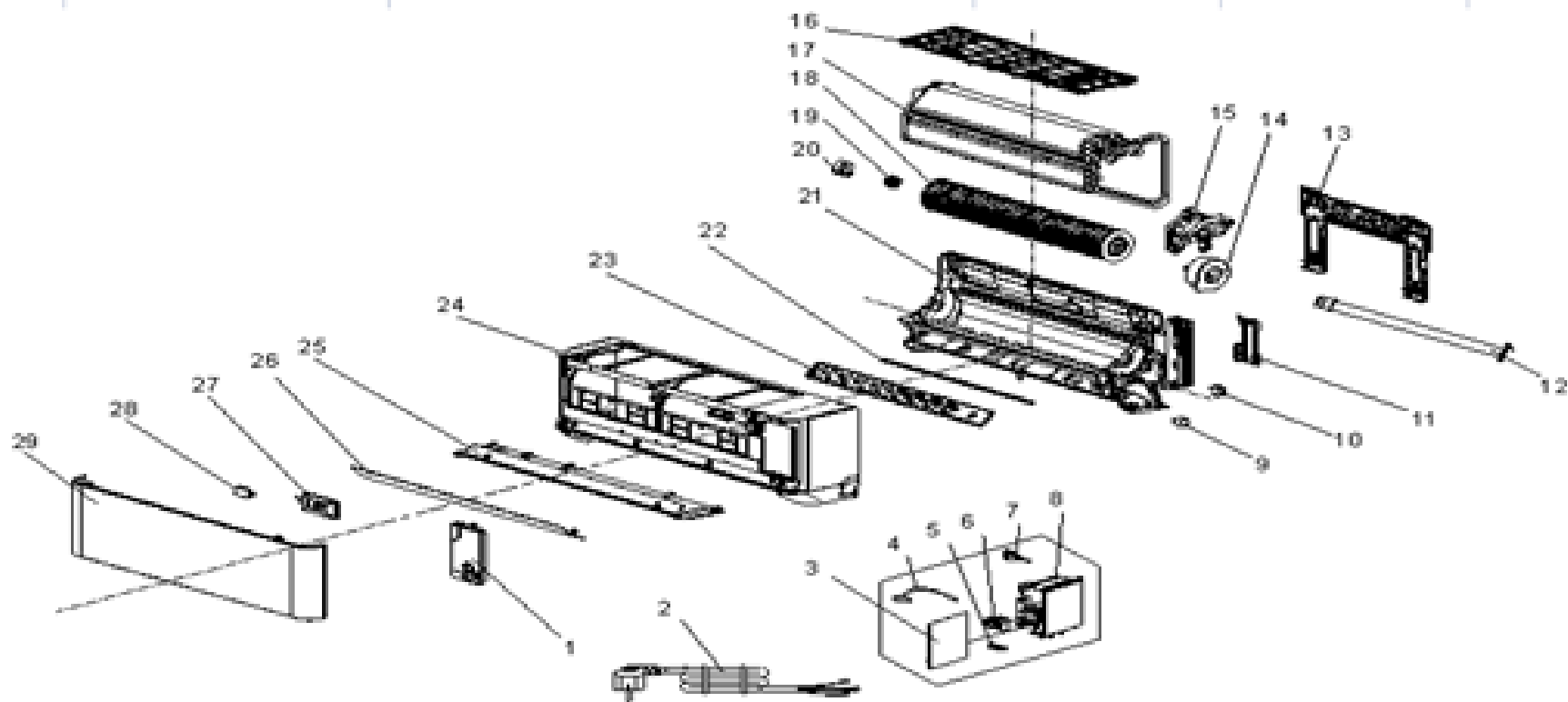
R32



Updated on: 28 DEC 22

Exploded View - Vues éclatées

WIT-24222.MH INDOOR UNIT – UNITE INTERIEURE



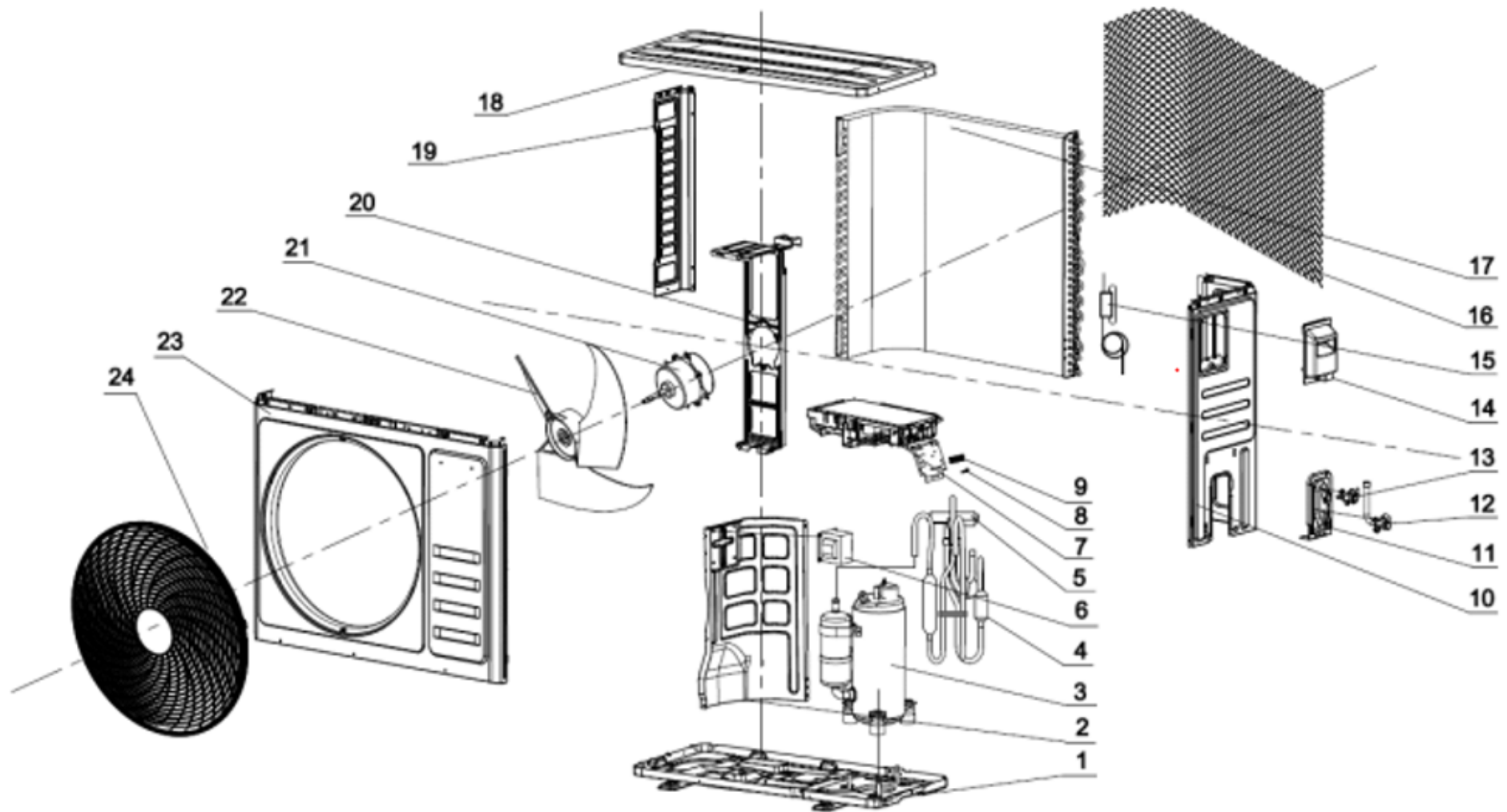
Photos non contractuelles

WIT-24222.MH INDOOR UNIT - UNITE INTERIEURE**Spare parts list****Liste des pièces détachées**

N°	Part Name	Part Code	Qty	Qty to order
1	Electrical Box Cover	41105-000373	1	
2	Power Supply Cord	22007-000107	1	
3	Main PCB	31101-001352	1	
4	Indoor Sensor Assembly	10104-100014	1	
5	Cable Clamp	42001-000103	1	
6	Terminal	11304-100028	1	
7	WIFI Connector	/	1	
8	Electrical Box	41105-000366	1	
9	Vane Motor	22001-000360	1	
10	Step Motor	22001-000485	1	
11	In And Out Pipe Cover	41101-000240	1	
12	Drainage Hose	42009-000011	1	
13	Installation Plate	41109-000073	1	
14	Indoor Motor	22001-000240	1	
15	Indoor Motor Cover	41108-000009	1	
16	Air Filter	42008-000175	2	
17	Evaporator	92011-005994	1	
18	Cross Fan	42004-000213	1	
19	Bearing Mount	42007-000009	1	
20	Bearing Mount Holder	41101-000251	1	
21	Base	41102-000465	1	
22	Step Motor Connect Rod	41101-000384	1	
23	Vertical Vane Assembly	41101-000371	2	
24	Face Frame	41106-003991	1	
25	Front Cover Panel	41101-000388	1	
26	Vane	41103-000496	1	
27	Display PCB	32099-006472	1	
28	WIFI Module	/	1	
29	Panel	41106-008462	1	
30	Remote Controller	22013-003993	1	
31	Indoor Carton	A1101-009034	1	
32	Left Foaming	A1102-000003	1	
33	Right Foaming	A1102-000004	1	

Exploded View - Vues éclatées

WIT-24222.MH OUTDOOR UNIT – UNITE EXTERIEURE



Photos non contractuelles

WIT-24222.MH OUTDOOR UNIT - UNITE EXTERIEURE**Spare parts list
Liste des pièces détachées**

N°	Part Name	Part Code	Qty	Qty to order
1	Base	41202-000245	1	
2	Partition Plate	41208-000152	1	
3	Compressor And Accessories	92014-000357	1	
4	4-Way Valve Assembly	92007-001022	1	
5	4-Way Valve	92008-000207	1	
6	Inductor	22011-000014	1	
7	Outdoor Pcb Assembly	31201-001635	1	
8	Cable Clamp	42001-000038	1	
	Cable Clamp	42001-000035	1	
9	Terminal	11304-100004	1	
10	Right Plate	41205-000075	1	
11	Valve Supporter	41204-000018	1	
12	Three-Way Valve	92007-001042	1	
13	Two-Way Valve	92007-001052	1	
14	Electronic Box Cover	41201-000029	1	
15	Electronic Expand Valve	92007-005589	1	
16	Grille	42011-000128	1	
17	Condenser	92011-000834	1	
18	Top Cover	41207-000028	1	
19	Left Plate	41203-000046	1	
20	Outdoor Motor Supporter	22001-000110	1	
21	Outdoor Motor	42004-000105	1	
22	Propeller Fan	42004-000105	1	
23	Front Plate	41206-000047	1	
24	Fan Guard	42011-000090	1	
25	Pipe Temp. Sensor And Outdoor Temp. Sensor	10104-100039	1	
26	Discharge Temp. Sensor	10104-100037	1	
27	Cabinet Carton	A1201-019689	1	
28	Base Foaming	A2007-000931	1	
29	Cover Foaming	41213-000018	1	

Specifications are subject to possible modifications without prior notice. Les présentes spécifications sont susceptibles d'être modifiées sans préavis. Las especificaciones están sujetas a cambios sin previo aviso