

Spare Part List & Exploded View

Liste des Pièces détachées et Vues éclatées

WIT-24322.MH

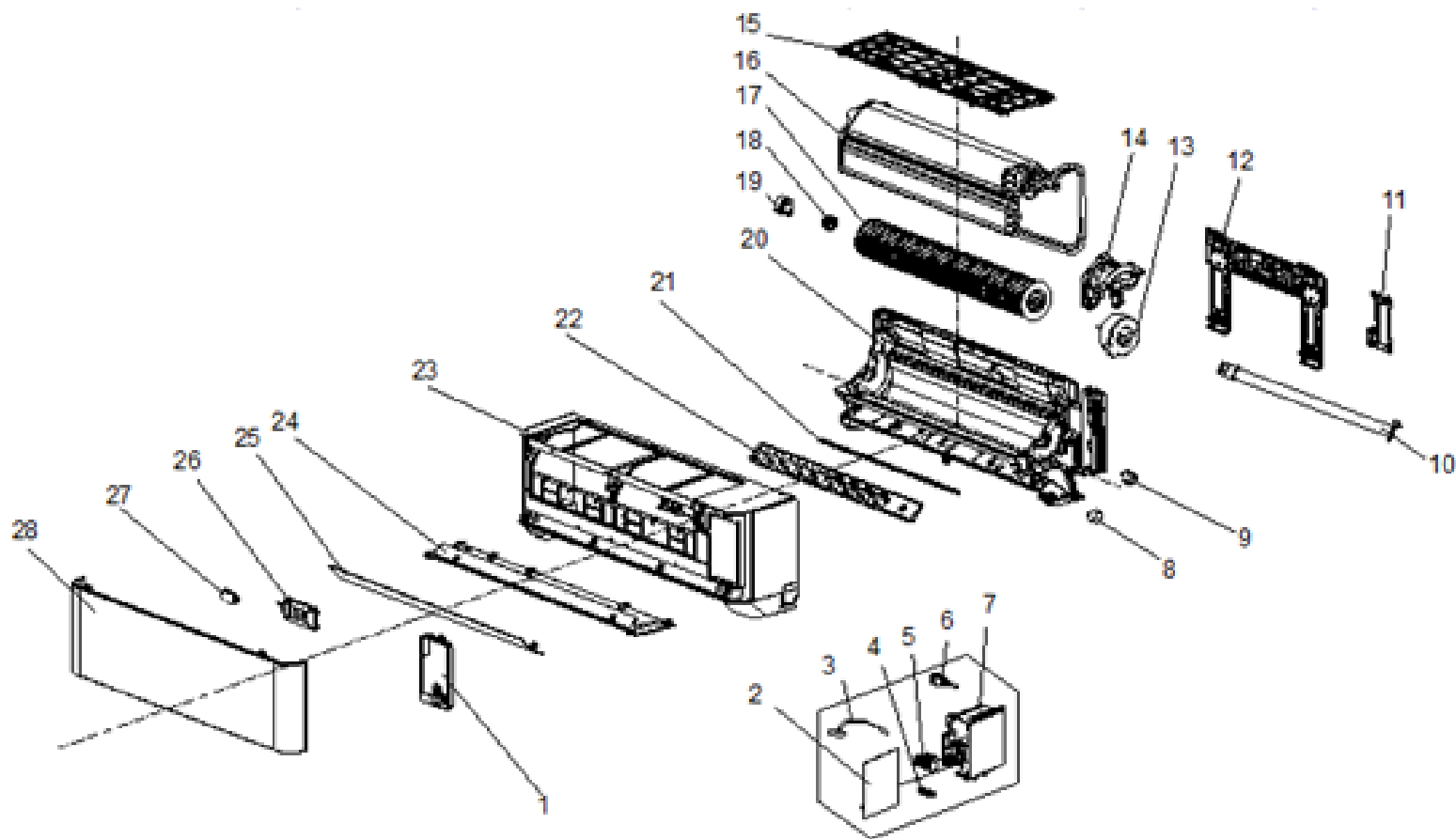
R32



Updated on: 14 NOV 22

Exploded View - Vues éclatées

WIT-24322.MH INDOOR UNIT – UNITE INTERIEURE



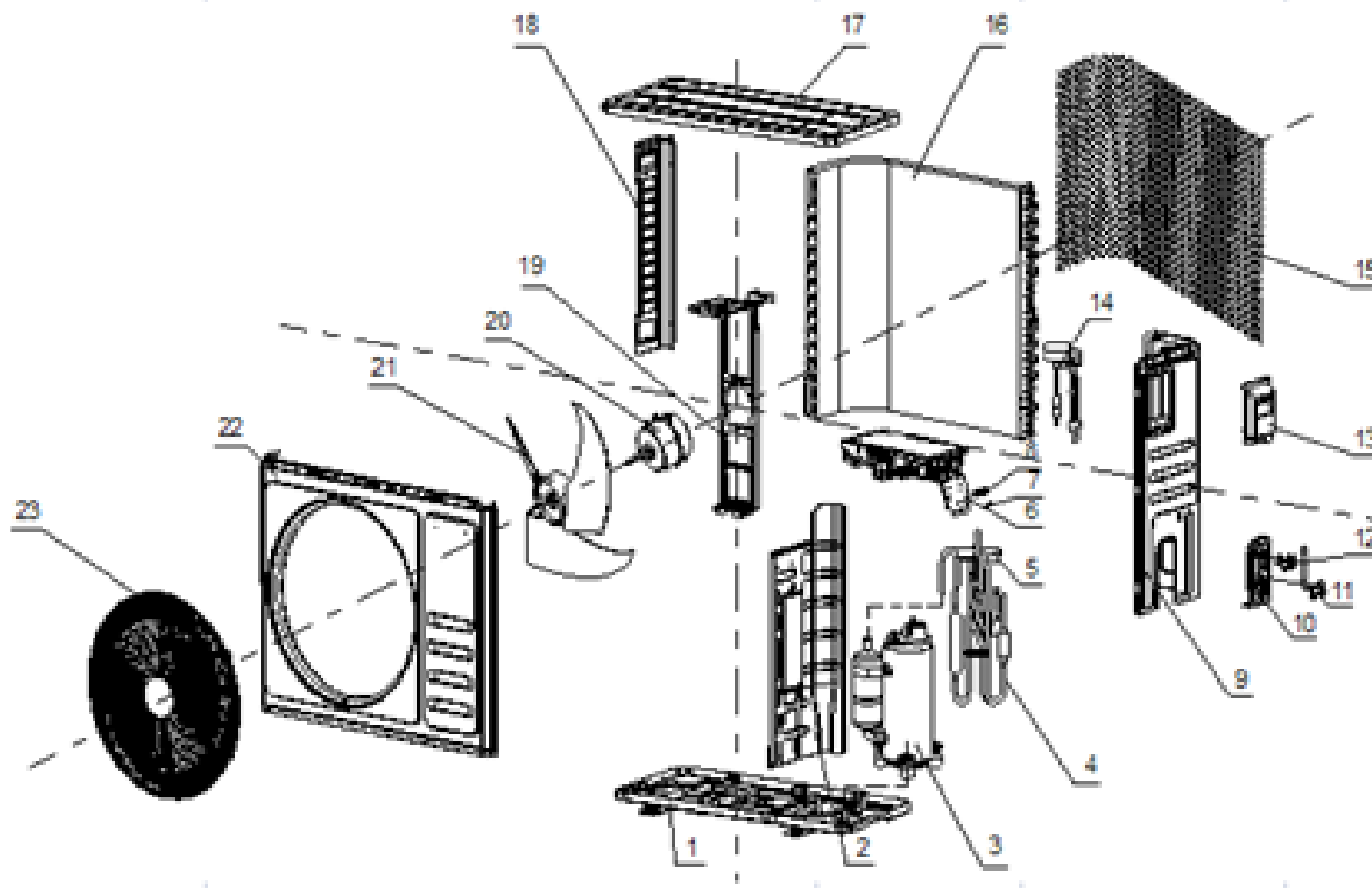
Photos non contractuelles

WIT-24322.MH INDOOR UNIT - UNITE INTERIEURE**Spare parts list****Liste des pièces détachées**

N°	Part Name	Part Code	Qty	Qty to order
1	Electrical Box Cover	41105-000373	1	
2	Main PCB	31101-001986	1	
3	Indoor Sensor Assembly	10104-100014	1	
4	Cable Clamp	42001-000112	1	
5	Terminal	11304-100048	1	
6	WIFI Connector	/	1	
7	Electrical Box	41105-000415	1	
8	Vane Motor	22001-000360	1	
9	Step Motor	29901-000078	1	
10	Drainage Hose	42009-000011	1	
11	In And Out Pipe Cover	41101-000240	1	
12	Installation Plate	41109-000073	1	
13	Indoor Motor	22001-000240	1	
14	Indoor Motor Cover	41108-000009	1	
15	Air Filter	42008-000175	2	
16	Evaporator	92011-008579	1	
17	Cross Fan	42004-000213	1	
18	Bearing Mount	42007-000009	1	
19	Bearing Mount Holder	41101-000251	1	
20	Base	41102-000465	1	
21	Step Motor Connect Rod	41101-000384	1	
22	Soft Wind Vane	41101-000371	18	
23	Face Frame Assembly	41106-003991	1	
24	Front shroud	41101-000388	1	
25	Vane	41103-000496	1	
26	Display PCB	32099-006472	1	
27	WIFI PCB	/	1	
28	Panel	41106-005666	1	
29	Remote Controller	22013-003993	1	
30	Indoor Carton	A1101-018509	1	
31	Left Foaming	A1102-000003	1	
32	Right Foaming	A1102-000004	1	

Exploded View - Vues éclatées

WIT-24322.MH OUTDOOR UNIT – UNITE EXTERIEURE



Photos non contractuelles

WIT-24322.MH OUTDOOR UNIT - UNITE EXTERIEURE**Spare parts list
Liste des pièces détachées**

N°	Part Name	Part Code	Qty	Qty to order
1	Base	A1201-012669	1	
2	Partition Plate	41208-001049	1	
3	Compressor And Accessories	92014-000857	1	
4	4-Way Valve Assembly	92007-018526	1	
5	4-Way Valve	92008-000244	1	
6	Outdoor Pcb Assembly	31201-002620	1	
7	Cable Clamp	42001-000039	1	
	Cable Clamp	42001-000038	1	
8	Terminal	11304-100036	1	
9	Right Plate	41205-000799	1	
10	Valve Supporter	41204-000018	1	
11	Three-Way Valve	92007-001042	1	
12	Two-Way Valve	92007-001050	1	
13	Eelectronic Box Cover	41201-000029	1	
14	Electronic Expand Valve	92007-018193	1	
15	Grille	42011-000418	1	
16	Condenser	92011-009006	1	
17	Top Cover	41207-000048	1	
18	Left Plate	41205-000217	1	
19	Outdoor Motor Supporter	41203-000115	1	
20	Outdoor Motor	22001-000147	1	
21	Propeller Fan	42004-000091	1	
22	Front Plate	41206-000076	1	
23	Fan Guard	42011-000031	1	
24	Outdoor Temp. Sensor Assembly	10104-100058	1	
25	Base Carton	A1201-012669	1	
26	Cabinet Carton	A1201-019872	1	
27	Base Foaming	A1202-000086	1	
28	Cover Foaming	A1202-000085	1	

Specifications are subject to possible modifications without prior notice. Les présentes spécifications sont susceptibles d'être modifiées sans préavis. Las especificaciones están sujetas a cambios sin previo aviso