

## Parts List

File No.

## Air Conditioner

---

**!** RoHS

- This product does not contain any hazardous substances prohibited by the **RoHS** Directive.

**⚠** WARNING

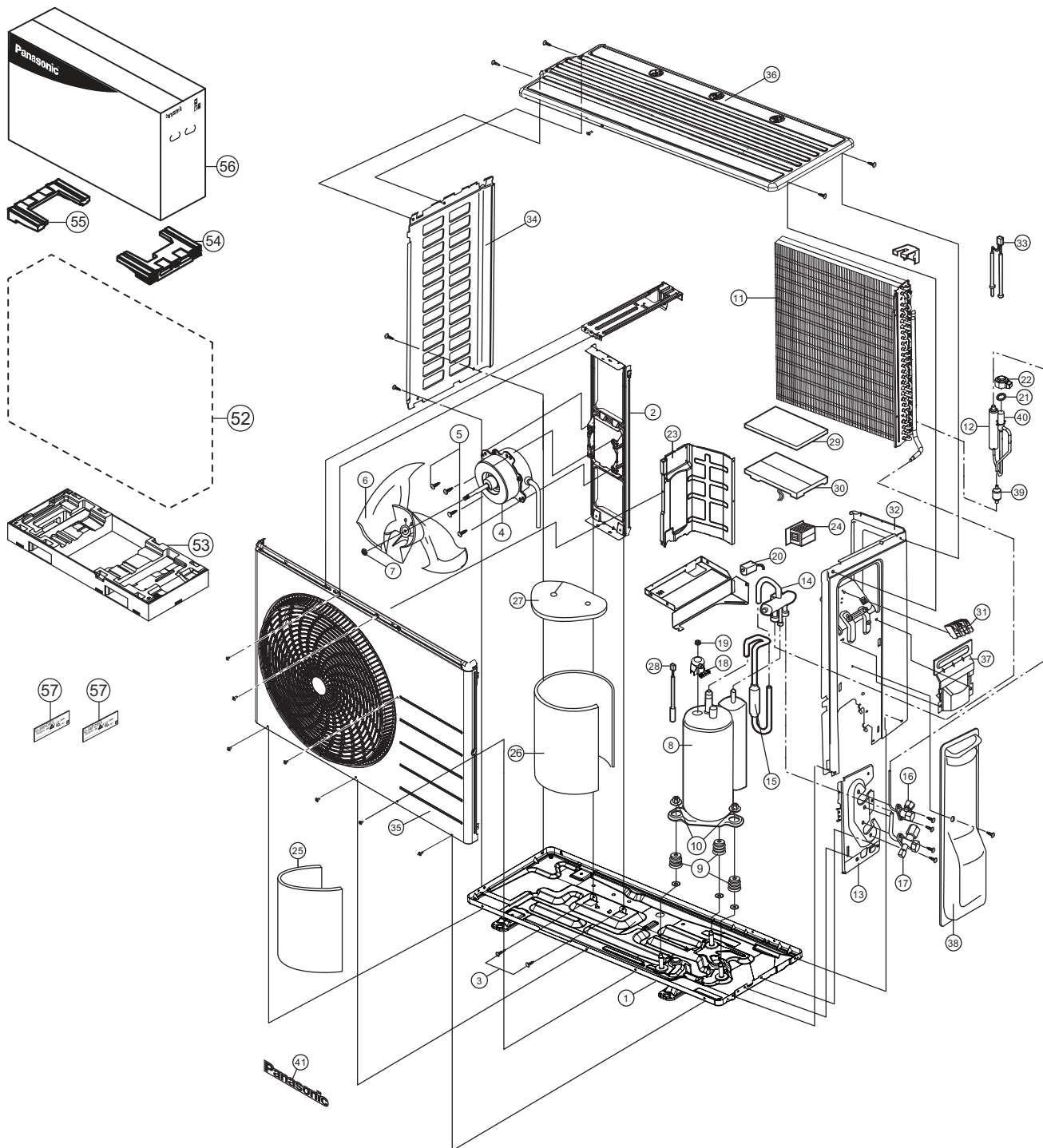
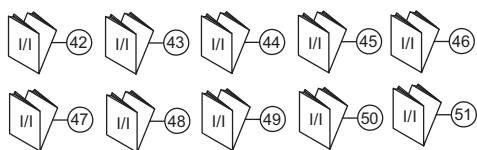
- You are requested to use **RoHS** compliant parts for maintenance or repair.
- You are requested to use lead-free solder.

Model No.	Prod. Code	Volt-Phase-Hertz	Country of Origin	Page
U-36PZ3E5	65875	220/230/240V 1N~50Hz	Made in Malaysia	3~5
U-50PZ3E5	65876	220/230/240V 1N~50Hz	Made in Malaysia	6~8
U-60PZ3E5	65877	220/230/240V 1N~50Hz	Made in Malaysia	9~11
U-71PZ3E5	65878	220/230/240V 1N~50Hz	Made in Malaysia	12~14

# 1. Exploded View and Replacement Parts List

## 1.1 Outdoor Unit

### 1.1.1 U-36PZ3E5



#### Note

The above exploded view is for the purpose of parts disassembly and replacement. The non-numbered parts are not kept as standard service parts.

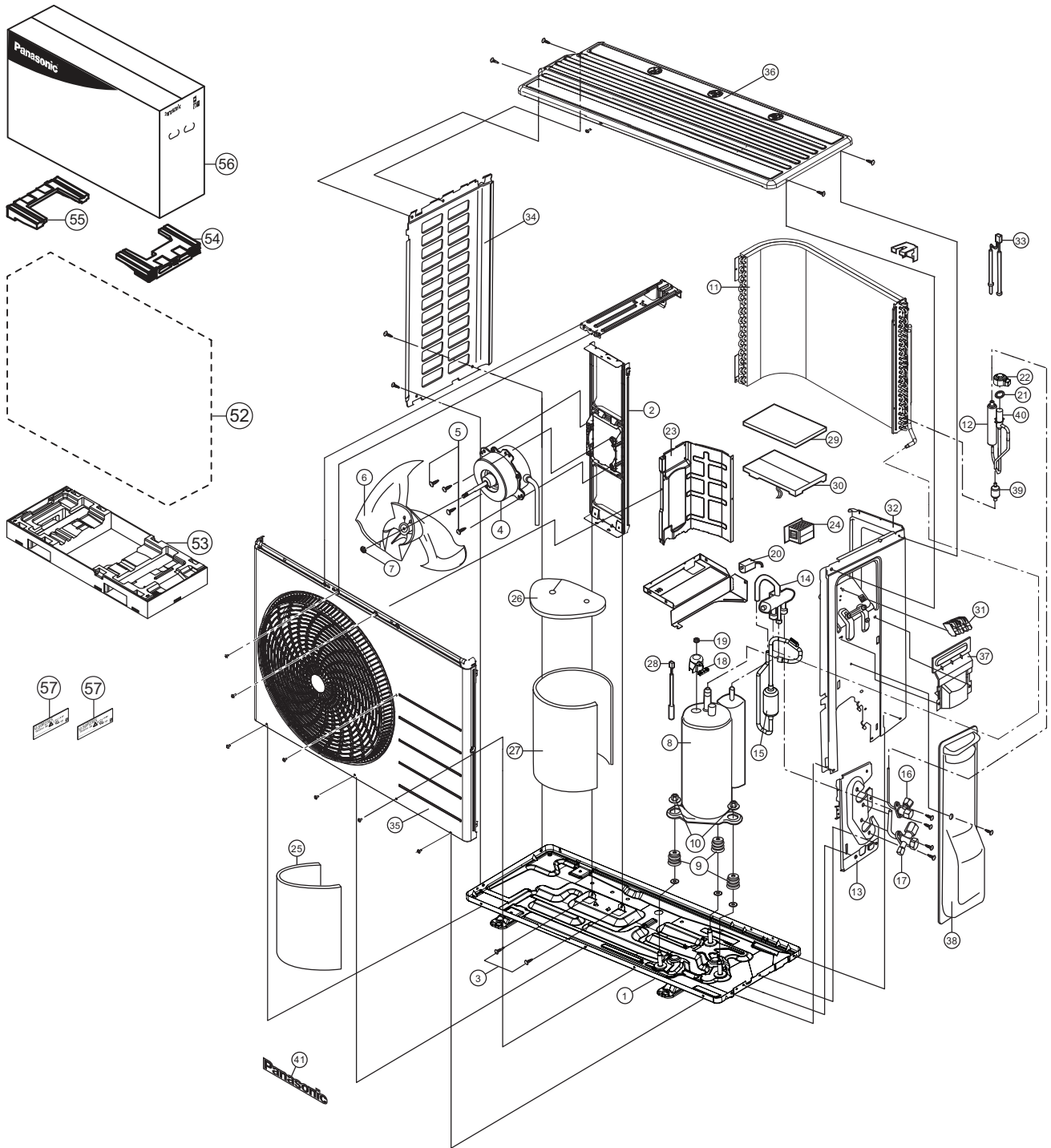
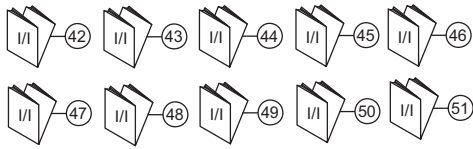
SAFETY	REF. NO.	PART NAME & DESCRIPTION	QTY.	U-36PZ3E5	REMARK
	1	CHASSIS COMPLETE	1	CWD52K1277	
	2	FAN MOTOR BRACKET	1	CWD541167	
	3	SCREW - FAN MOTOR BRACKET	2	CWH551217	
⚠	4	FAN MOTOR	1	L6CAYYYL0064	
	5	SCREW - FAN MOTOR MOUNT	4	CWH55252J	
	6	PROPELLER FAN ASSY	1	CWH03K1066	
	7	NUT - PROPELLER FAN	1	CWH56053J	
⚠	8	COMPRESSOR	1	9RS102XFA21	
	9	ANTI - VIBRATION BUSHING	3	CWH50077	
	10	NUT - COMPRESSOR MOUNT	3	CWH561096	
	11	CONDENSER	1	ACXB32C18270	
	12	DISCHARGE MUFFLER	1	CWB121021	
	13	HOLDER COUPLING	1	CWH351233	
	14	4-WAYS VALVE	1	ACXB00-01290	
	15	DISCHARGE MUFFLER(4 W.VALVE)	1	CWB121010	
	16	2-WAYS VALVE (LIQUID)	1	CWB021180J	
	17	3-WAY VALVE (GAS)	1	CWB011367	
	18	TERMINAL COVER	1	CWH171039A	
	19	NUT - TERMINAL COVER	1	CWH7080300J	
⚠	20	V-COIL COMPLETE	1	ACXA43C00250	
	21	O-RING	1	ACXB81-06510	
⚠	22	V-COIL COMPLETE	1	ACXA43C06110	
	23	SOUND PROOF BOARD	1	CWH151274	
⚠	24	REACTOR	1	G0C103J00048	
	25	SOUND PROOF MATERIAL	1	CWG302701	
	26	SOUND PROOF MATERIAL	1	CWG302949	
	27	SOUND PROOF MATERIAL	1	CWG302719	
⚠	28	SENSOR CO-COMP TEMP	1	CWA50C2830	
	29	CONTROL BOARD COVER-TOP	1	CWH131473	
⚠	30	ELECTRONIC CONTROLLER - MAIN	1	ACXA73C58380R	
⚠	31	TERMINAL BOARD ASSY	1	CWA28K1110J	
	32	CABINET SIDE PLATE CO.	1	ACXE04C05260	
⚠	33	SENSOR CO-AIR TEMP AND PIPE TEMP	1	CWA50C3079	
	34	CABINET SIDE PLATE	1	ACXE04-10030	
	35	CABINET FRONT PLATE CO.	1	ACXE06C02890	
	36	CABINET TOP PLATE	1	ACXE03-02880	
	37	PLATE - C. B. COVER TERMINAL	1	CWH131470	
	38	CONTROL BOARD COVER CO.	1	CWH13C1253	
	39	STRAINER	1	CWB11094	
	40	EXPANSION VALVE	1	ACXB05-01100	
	41	PANASONIC BADGE	1	CWE373439	
	42	INSTALLATION INSTRUCTION	1	ACXF60-39470	
	43	INSTALLATION INSTRUCTION	1	ACXF60-39480	
	44	INSTALLATION INSTRUCTION	1	ACXF60-39490	
	45	INSTALLATION INSTRUCTION	1	ACXF60-39500	
	46	INSTALLATION INSTRUCTION	1	ACXF60-39510	
	47	INSTALLATION INSTRUCTION	1	ACXF60-39520	
	48	INSTALLATION INSTRUCTION	1	ACXF60-39530	
	49	INSTALLATION INSTRUCTION	1	ACXF60-39540	
	50	INSTALLATION INSTRUCTION	1	ACXF60-39550	

<b>SAFETY</b>	<b>REF. NO.</b>	<b>PART NAME &amp; DESCRIPTION</b>	<b>QTY.</b>	<b>U-36PZ3E5</b>	<b>REMARK</b>
	51	INSTALLATION INSTRUCTION	1	ACXF60-39560	
	52	BAG	1	ACXG86-03760	
	53	BASE BOARD-COMPLETE	1	CWG62C1144	
	54	SHOCK ABSORBER	1	CWG713415	
	55	SHOCK ABSORBER	1	CWG713416	
	56	C.C.CASE	1	ACXG50-48870	
	57	MODEL LABEL	2	ACXF85-26440	

(NOTE)

- All parts are supplied from PAPAMY, Malaysia (Vendor Code: 00029488).
- “O” marked parts are recommended to be kept in stock.

## 1.1.2 U-50PZ3E5



**Note**  
 The above exploded view is for the purpose of parts disassembly and replacement.  
 The non-numbered parts are not kept as standard service parts.

SAFETY	REF. NO.	PART NAME & DESCRIPTION	QTY.	U-50PZ3E5	REMARK
	1	CHASSIS COMPLETE	1	CWD52K1277	
	2	FAN MOTOR BRACKET	1	CWD541167	
	3	SCREW - FAN MOTOR BRACKET	2	CWH551217	
⚠	4	FAN MOTOR	1	L6CAYYYL0064	
	5	SCREW - FAN MOTOR MOUNT	4	CWH55252J	
	6	PROPELLER FAN ASSY	1	CWH03K1066	
	7	NUT - PROPELLER FAN	1	CWH56053J	
⚠	8	COMPRESSOR	1	9RD132XAB21-CA	
	9	ANTI - VIBRATION BUSHING	3	CWH50077	
	10	NUT - COMPRESSOR MOUNT	3	CWH561096	
	11	CONDENSER	1	ACXB32C01690	
	12	DISCHARGE MUFFLER	1	CWB121058	
	13	HOLDER COUPLING	1	CWH351233	
	14	4-WAYS VALVE	1	ACXB00-00130	
	15	DISCHARGE MUFFLER(4 W.VALVE)	1	CWB121010	
	16	2-WAYS VALVE (LIQUID)	1	CWB021590	
	17	3-WAY VALVE (GAS)	1	CWB011367	
	18	TERMINAL COVER	1	CWH171039A	
	19	NUT - TERMINAL COVER	1	CWH7080300J	
⚠	20	V-COIL COMPLETE	1	ACXA43C00250	
	21	O-RING	1	ACXB81-06510	
⚠	22	V-COIL COMPLETE	1	ACXA43C06110	
	23	SOUND PROOF BOARD	1	CWH151364	
⚠	24	REACTOR	1	G0C392J00027	
	25	SOUND PROOF MATERIAL	1	CWG302952	
	26	SOUND PROOF MATERIAL	1	CWG302630	
	27	SOUND PROOF MATERIAL	1	CWG302745	
⚠	28	SENSOR CO-COMP TEMP	1	CWA50C2830	
	29	CONTROL BOARD COVER-TOP	1	CWH131473	
⚠	30	ELECTRONIC CONTROLLER - MAIN	1	ACXA73C58390R	
⚠	31	TERMINAL BOARD ASSY	1	CWA28K1110J	
	32	CABINET SIDE PLATE CO.	1	ACXE04C05250	
⚠	33	SENSOR CO-AIR TEMP AND PIPE TEMP	1	CWA50C2825	
	34	CABINET SIDE PLATE	1	ACXE04-10020	
	35	CABINET FRONT PLATE CO.	1	ACXE06C02910	
	36	CABINET TOP PLATE	1	ACXE03-02880	
	37	PLATE - C. B. COVER TERMINAL	1	CWH131470	
	38	CONTROL BOARD COVER CO.	1	CWH13C1253	
	39	STRAINER	1	CWB11094	
	40	EXPANSION VALVE	1	ACXB05-01100	
	41	PANASONIC BADGE	1	CWE373439	
	42	INSTALLATION INSTRUCTION	1	ACXF60-39470	
	43	INSTALLATION INSTRUCTION	1	ACXF60-39480	
	44	INSTALLATION INSTRUCTION	1	ACXF60-39490	
	45	INSTALLATION INSTRUCTION	1	ACXF60-39500	
	46	INSTALLATION INSTRUCTION	1	ACXF60-39510	
	47	INSTALLATION INSTRUCTION	1	ACXF60-39520	
	48	INSTALLATION INSTRUCTION	1	ACXF60-39530	
	49	INSTALLATION INSTRUCTION	1	ACXF60-39540	
	50	INSTALLATION INSTRUCTION	1	ACXF60-39550	

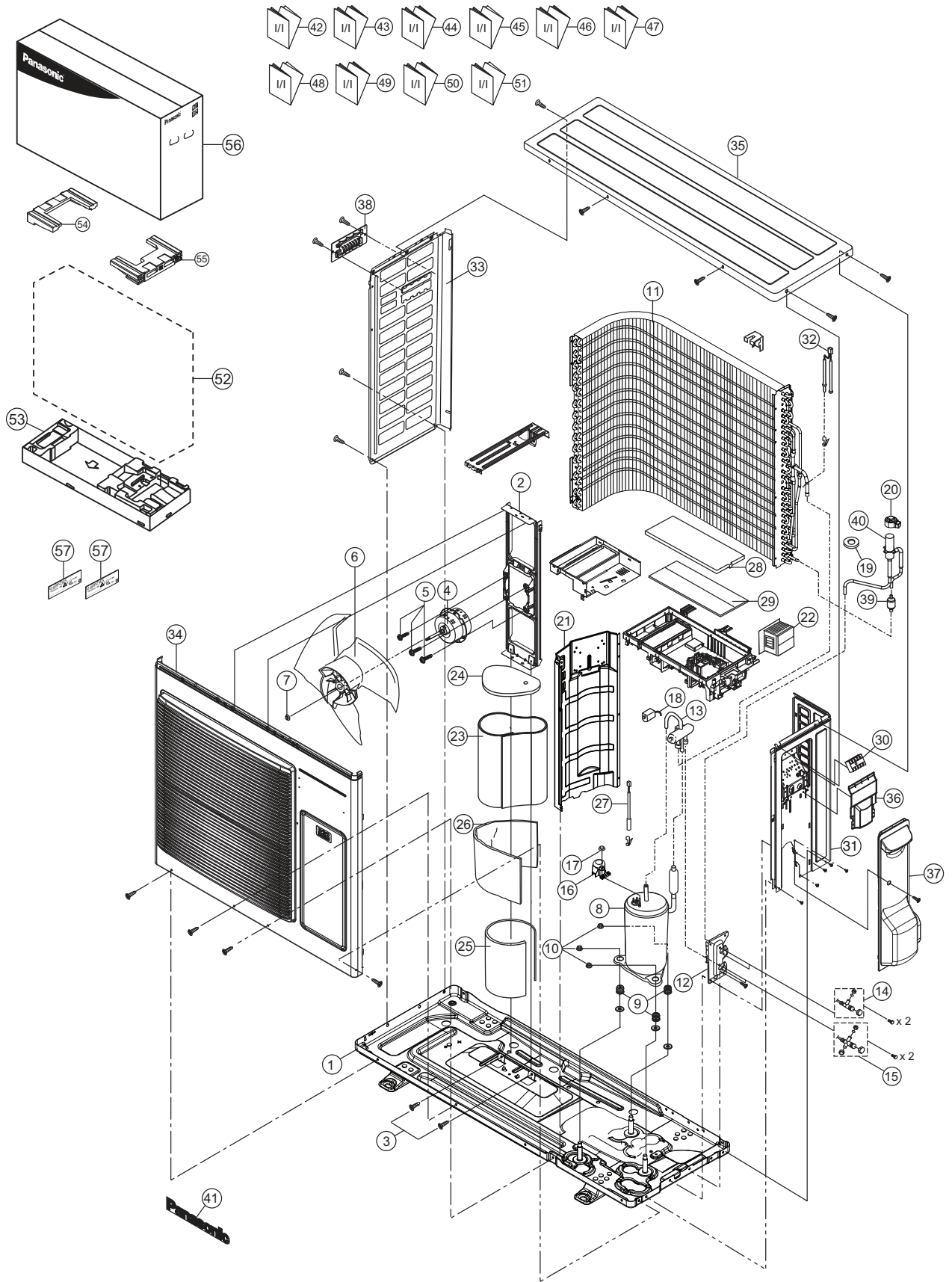
SAFETY	REF. NO.	PART NAME & DESCRIPTION	QTY.	U-50PZ3E5	REMARK
	51	INSTALLATION INSTRUCTION	1	ACXF60-39560	
	52	BAG	1	ACXG86-03760	
	53	BASE BOARD-COMPLETE	1	CWG62C1144	
	54	SHOCK ABSORBER	1	CWG713415	
	55	SHOCK ABSORBER	1	CWG713416	
	56	C.C.CASE	1	ACXG50-48870	
	57	MODEL LABEL	2	ACXF85-26450	

(NOTE)

- All parts are supplied from PAPAMY, Malaysia (Vendor Code: 00029488).
- "O" marked parts are recommended to be kept in stock.



### 1.1.3 U-60PZ3E5



**Note**

The above exploded view is for the purpose of parts disassembly and replacement. The non-numbered parts are not kept as standard service parts.

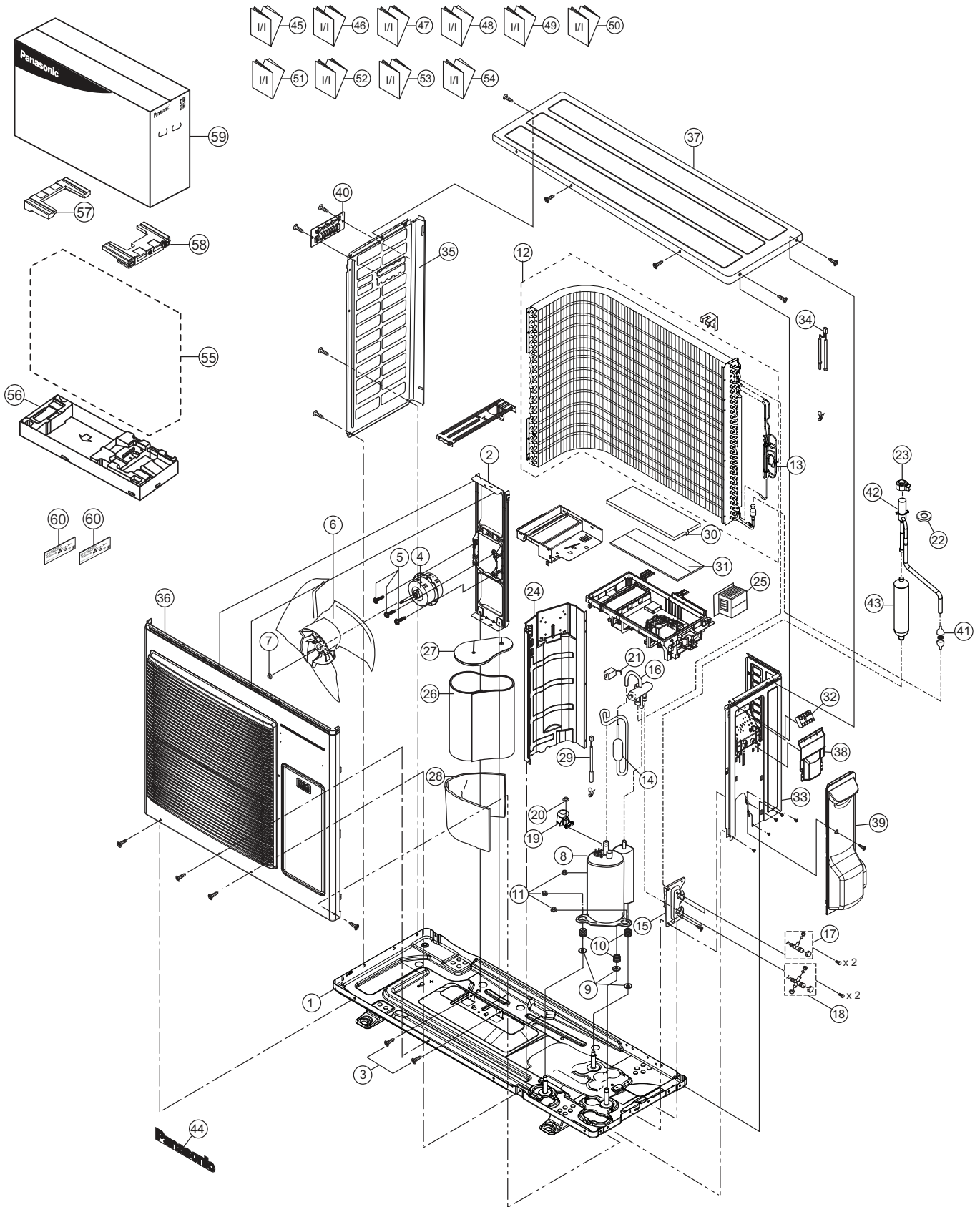
SAFETY	REF. NO.	PART NAME & DESCRIPTION	QTY.	U-60PZ3E5	REMARK
	1	CHASSIS COMPLETE	1	ACXD52K00320	
	2	FAN MOTOR BRACKET	1	ACXD54-00140	
	3	SCREW - FAN MOTOR BRACKET	2	CWH551217	
⚠	4	FAN MOTOR	1	L6CAYYYL0076	
	5	SCREW - FAN MOTOR MOUNT	4	CWH551106J	
	6	PROPELLER FAN ASSY	1	ACXH03K00070	
	7	NUT - PROPELLER FAN	1	CWH56053J	
⚠	8	COMPRESSOR	1	9RD132XAA21-CAT01	
	9	ANTI - VIBRATION BUSHING	3	CWH50077	
	10	NUT - COMPRESSOR MOUNT	3	CWH561096	
	11	CONDENSER	1	ACXB32C08610	
	12	HOLDER COUPLING	1	ACXH35-00080	
	13	4-WAYS VALVE	1	ACXB00-00140	
	14	2-WAYS VALVE (LIQUID)	1	ACXB02-00210	
	15	3-WAY VALVE (GAS)	1	ACXB01-00580	
	16	TERMINAL COVER	1	CWH171039A	
	17	NUT - TERMINAL COVER	1	CWH7080300J	
⚠	18	V-COIL COMPLETE	1	ACXA43C00250	
	19	O-RING	1	ACXB81-06510	
⚠	20	V-COIL COMPLETE	1	ACXA43C06110	
	21	SOUND PROOF BOARD	1	ACXH15-00200	
⚠	22	REACTOR	1	G0C392J00027	
	23	SOUND PROOF MATERIAL	1	CWG302950	
	24	SOUND PROOF MATERIAL	1	CWG302630	
	25	SOUND PROOF MATERIAL	1	CWG302632	
	26	SOUND PROOF MATERIAL	1	CWG302636	
⚠	27	SENSOR CO-COMP TEMP	1	CWA50C2185	
	28	CONTROL BOARD COVER-TOP	1	ACXH13-00490	
⚠	29	ELECTRONIC CONTROLLER - MAIN	1	ACXA73C58400R	
⚠	30	TERMINAL BOARD ASSY	1	CWA28K1110J	
	31	CABINET SIDE PLATE CO.	1	ACXE04C00990	
⚠	32	SENSOR CO-AIR TEMP AND PIPE TEMP	1	CWA50C3079	
	33	CABINET SIDE PLATE	1	ACXE04-00670	
	34	CABINET FRONT PLATE CO.	1	ACXE06K00080	
	35	CABINET TOP PLATE	1	ACXE03-00200	
	36	PLATE - C. B. COVER TERMINAL	1	CWH131470	
	37	CONTROL BOARD COVER CO.	1	ACXH13C00170	
	38	HANDLE	1	CWE161010	
	39	STRAINER	1	CWB11094	
	40	EXPANSION VALVE	1	ACXB05-01100	
	41	PANASONIC BADGE	1	CWE373439	
	42	INSTALLATION INSTRUCTION	1	ACXF60-39470	
	43	INSTALLATION INSTRUCTION	1	ACXF60-39480	
	44	INSTALLATION INSTRUCTION	1	ACXF60-39490	
	45	INSTALLATION INSTRUCTION	1	ACXF60-39500	
	46	INSTALLATION INSTRUCTION	1	ACXF60-39510	
	47	INSTALLATION INSTRUCTION	1	ACXF60-39520	
	48	INSTALLATION INSTRUCTION	1	ACXF60-39530	
	49	INSTALLATION INSTRUCTION	1	ACXF60-39540	
	50	INSTALLATION INSTRUCTION	1	ACXF60-39550	

<b>SAFETY</b>	<b>REF. NO.</b>	<b>PART NAME &amp; DESCRIPTION</b>	<b>QTY.</b>	<b>U-60PZ3E5</b>	<b>REMARK</b>
	51	INSTALLATION INSTRUCTION	1	ACXF60-39560	
	52	BAG	1	CWG861461	
	53	BASE BOARD-COMPLETE	1	CWG62C1131	
	54	SHOCK ABSORBER	1	CWG713217	
	55	SHOCK ABSORBER	1	CWG713218	
	56	C.C.CASE	1	ACXG50-48881	
	57	MODEL LABEL	2	ACXF85-26460	

(NOTE)

- All parts are supplied from PAPAMY, Malaysia (Vendor Code: 00029488).
- “O” marked parts are recommended to be kept in stock.

# 1.1.4 U-71PZ3E5



**Note**  
 The above exploded view is for the purpose of parts disassembly and replacement.  
 The non-numbered parts are not kept as standard service parts.

SAFETY	REF. NO.	PART NAME & DESCRIPTION	QTY.	U-71PZ3E5	REMARK
	1	CHASSIS COMPLETE	1	ACXD52K00280	
	2	FAN MOTOR BRACKET	1	ACXD54-00140	
	3	SCREW - FAN MOTOR BRACKET	2	CWH551217	
⚠	4	FAN MOTOR	1	L6CAYYYL0076	
	5	SCREW - FAN MOTOR MOUNT	4	cwH551106J	
	6	PROPELLER FAN ASSY	1	ACXH03K00070	
	7	NUT - PROPELLER FAN	1	CWH56053J	
⚠	8	COMPRESSOR	1	9KD240XBA21-CAT01	
	9	PACKING	3	CWB81043	
	10	ANTI - VIBRATION BUSHING	3	CWH50055	
	11	NUT - COMPRESSOR MOUNT	3	CWH561049	
	12	CONDENSER	1	ACXB32C01930	
	13	TUBE ASS'Y (CAPILLARY TUBE)	1	ACXT00C05240	
	14	DISCHARGE MUFFLER	1	CWB121013	
	15	HOLDER COUPLING	1	ACXH35-00080	
	16	4-WAYS VALVE	1	ACXB00-00140	
	17	2-WAYS VALVE (LIQUID)	1	ACXB02-00220	
	18	3-WAY VALVE (GAS)	1	CWB011363	
	19	TERMINAL COVER	1	CWH171039A	
	20	NUT - TERMINAL COVER	1	CWH7080300J	
⚠	21	V-COIL COMPLETE	1	ACXA43C00250	
	22	O-RING	1	ACXB81-06510	
⚠	23	V-COIL COMPLETE	1	ACXA43C06110	
	24	SOUND PROOF BOARD	1	ACXH15-00230	
⚠	25	REACTOR	1	G0C392J00029	
	26	SOUND PROOF MATERIAL	1	CWG302997	
	27	SOUND PROOF MATERIAL	1	CWG302246	
	28	SOUND PROOF MATERIAL	1	CWG302636	
⚠	29	SENSOR CO-COMP TEMP	1	CWA50C2185	
	30	CONTROL BOARD COVER-TOP	1	ACXH13-00490	
⚠	31	ELECTRONIC CONTROLLER - MAIN	1	ACXA73C58410R	
⚠	32	TERMINAL BOARD ASSY	1	CWA28K1110J	
	33	CABINET SIDE PLATE CO.	1	ACXE04C03340	
⚠	34	SENSOR CO-AIR TEMP AND PIPE TEMP	1	CWA50C3079	
	35	CABINET SIDE PLATE	1	ACXE04-00670	
	36	CABINET FRONT PLATE CO.	1	ACXE06K00080	
	37	CABINET TOP PLATE	1	ACXE03-00200	
	38	PLATE - C. B. COVER TERMINAL	1	CWH131470	
	39	CONTROL BOARD COVER CO.	1	ACXH13C00170	
	40	HANDLE	1	CWE161010	
	41	STRAINER	1	CWB111032	
	42	EXPANSION VALVE	1	ACXB05-01090	
	43	RECEIVER	1	CWB14030	
	44	PANASONIC BADGE	1	CWE373439	
	45	INSTALLATION INSTRUCTION	1	ACXF60-39470	
	46	INSTALLATION INSTRUCTION	1	ACXF60-39480	
	47	INSTALLATION INSTRUCTION	1	ACXF60-39490	
	48	INSTALLATION INSTRUCTION	1	ACXF60-39500	
	49	INSTALLATION INSTRUCTION	1	ACXF60-39510	
	50	INSTALLATION INSTRUCTION	1	ACXF60-39520	

SAFETY	REF. NO.	PART NAME & DESCRIPTION	QTY.	U-71PZ3E5	REMARK
	51	INSTALLATION INSTRUCTION	1	ACXF60-39530	
	52	INSTALLATION INSTRUCTION	1	ACXF60-39540	
	53	INSTALLATION INSTRUCTION	1	ACXF60-39550	
	54	INSTALLATION INSTRUCTION	1	ACXF60-39560	
	55	BAG	1	CWG861461	
	56	BASE BOARD-COMPLETE	1	ACXG62C00230	
	57	SHOCK ABSORBER	1	CWG713217	
	58	SHOCK ABSORBER	1	CWG713218	
	59	C.C.CASE	1	ACXG50-48881	
	60	MODEL LABEL	2	ACXF85-26470	

(NOTE)

- All parts are supplied from PAPAMY, Malaysia (Vendor Code: 00029488).
- "O" marked parts are recommended to be kept in stock.